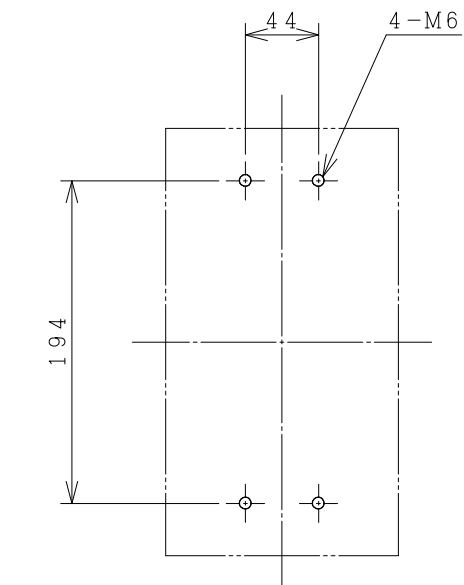
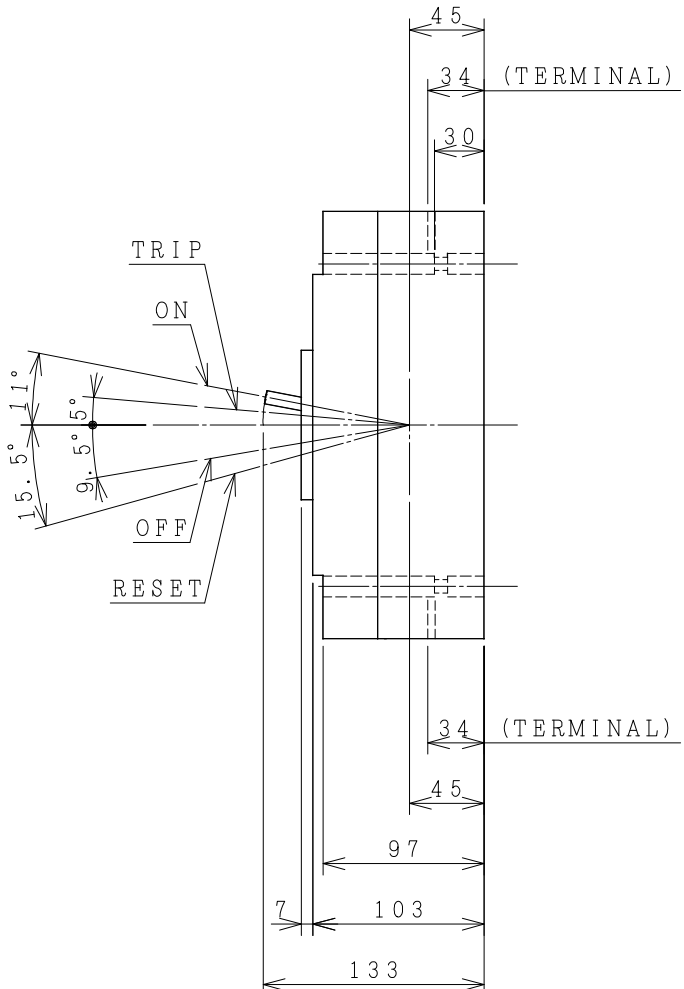
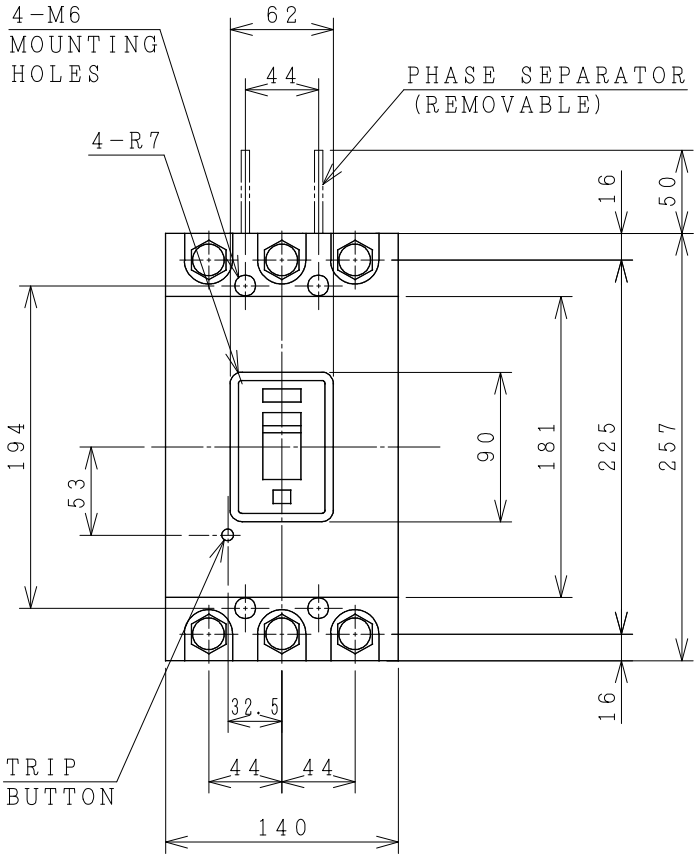


HITACHI MOLDED CASE CIRCUIT BREAKER

Type	Poles	Rated Insulation Voltage (Ui)	IEC 60947-2		Rated Current	Base Ambient Temperature	Weight
			Icu/Ics [kA]	230V			
L-225E	3	690 V	175/88	125/32	125 150 175 200 225 A	40 °C	5.2 kg



DRILLING PLAN.

ACCESSORIES		
Part	Size	Q'ty
Phase separator	-	4
Terminal screw/bolt	M10x25	6
Mounting screw	M4x45	4
Assistant handle	-	-
Interior accessories		AL, AUX, SHT, UVT

(Reference 43041064R02).

※REMARK

-DC CIRCUIT BREAKER OF L-225E DOSE NOT MANUFACTURE.

-DIMENSION UNIT = Millimeter (mm).

DWN. S. CHAIAMPOL	01/03/17	PROJECTION	TITLE
CHKD. J. Imdee	S	SCALE NTS.	DIMENSION OF L-225E
APPD. T. Sakiguchi			
HITT WORKS DWG. No.			REV.
HITACHI Hitachi Industrial Technology (Thailand), Ltd.			00
			01
			01
			01

4HTN000961