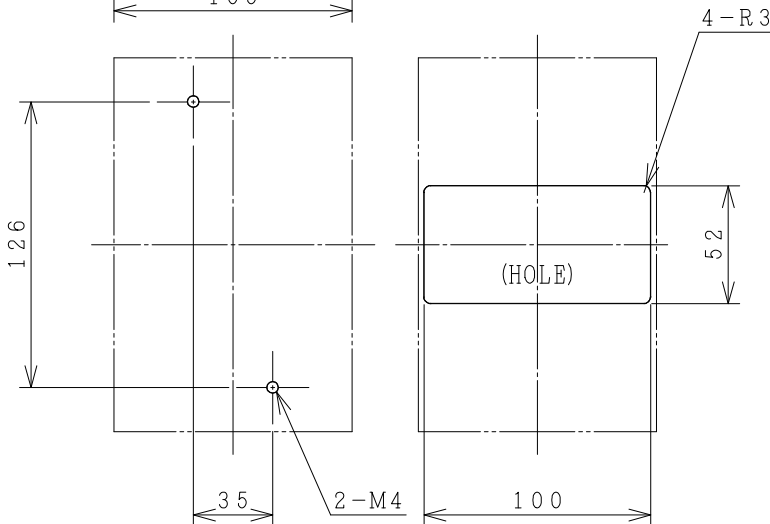
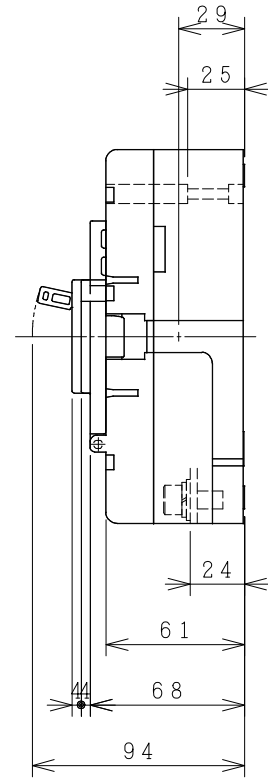
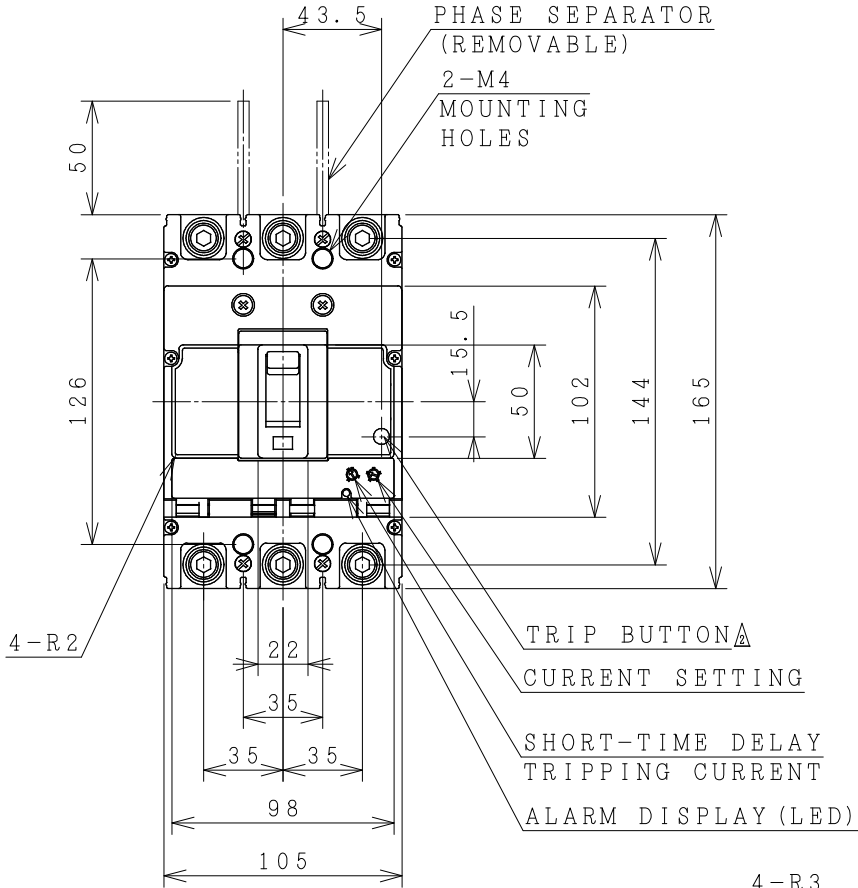


HITACHI MOLDED CASE CIRCUIT BREAKER

Type	Poles	Rated Insulation Voltage (Ui)	IEC 60947-2 Icu/Ics [kA]		Rated Current	Base Ambient Temperature	Weight
			230V	400V			
FXE225-S	3	690	Δ 50/25	Δ 30/15	125/150/175/ 200/225	40 °C	Δ 1.6 kg
FXE225-H			Δ 100/25	Δ 50/13	Adjustable A		



DRILLING PLAN. FRONT PLATE CUTOUT.

ACCESSORIES		
Part	Size	Q'ty
Phase separator	-	4
Terminal screw/bolt	M8x18	6
Mounting screw	M4x40	2
Assistant handle	-	-
Interior accessories		AL, AUX, SHT

-THESE DIMENSIONS THE HEIGHT OF FRONT PLATE FROM BASE OF CASE TO COVER IS 68mm.
-CLEARANCE 1mm ON EACH SIDE OF HANDLE.

Δ ^{x2}24/06/20 O. SITTICHAJ/*ch. Chantolun / M. Samkit / S. Sugai*
 Δ ^{x4}14/03/18 S. CHAIAMPOL/C. KIATTISAK/T. SEKIGUSHI.

DWN.	S. CHAIAMPOL	03/03/17	PROJECTION	TITLE
CHKD.	J. JANDER	S	SCALE NTS.	DIMENSION OF FXE225-S, H
APPD.	T. SEKIGUCHI			
HITACHI Hitachi Industrial Technology (Thailand), Ltd.				HITT WORKS DWG. No. 4HTN000963
				REV. 02 SH. 01 01

(Reference 4306666R01).
*REMARK
-DIMENSION UNIT = Millimeter (mm).