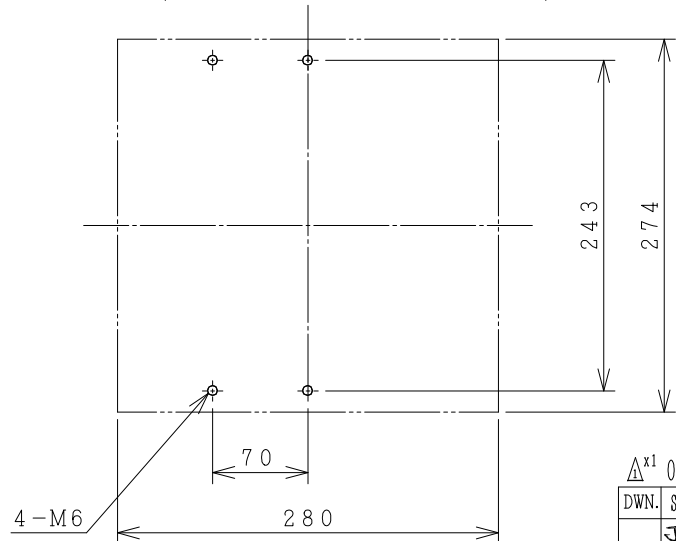
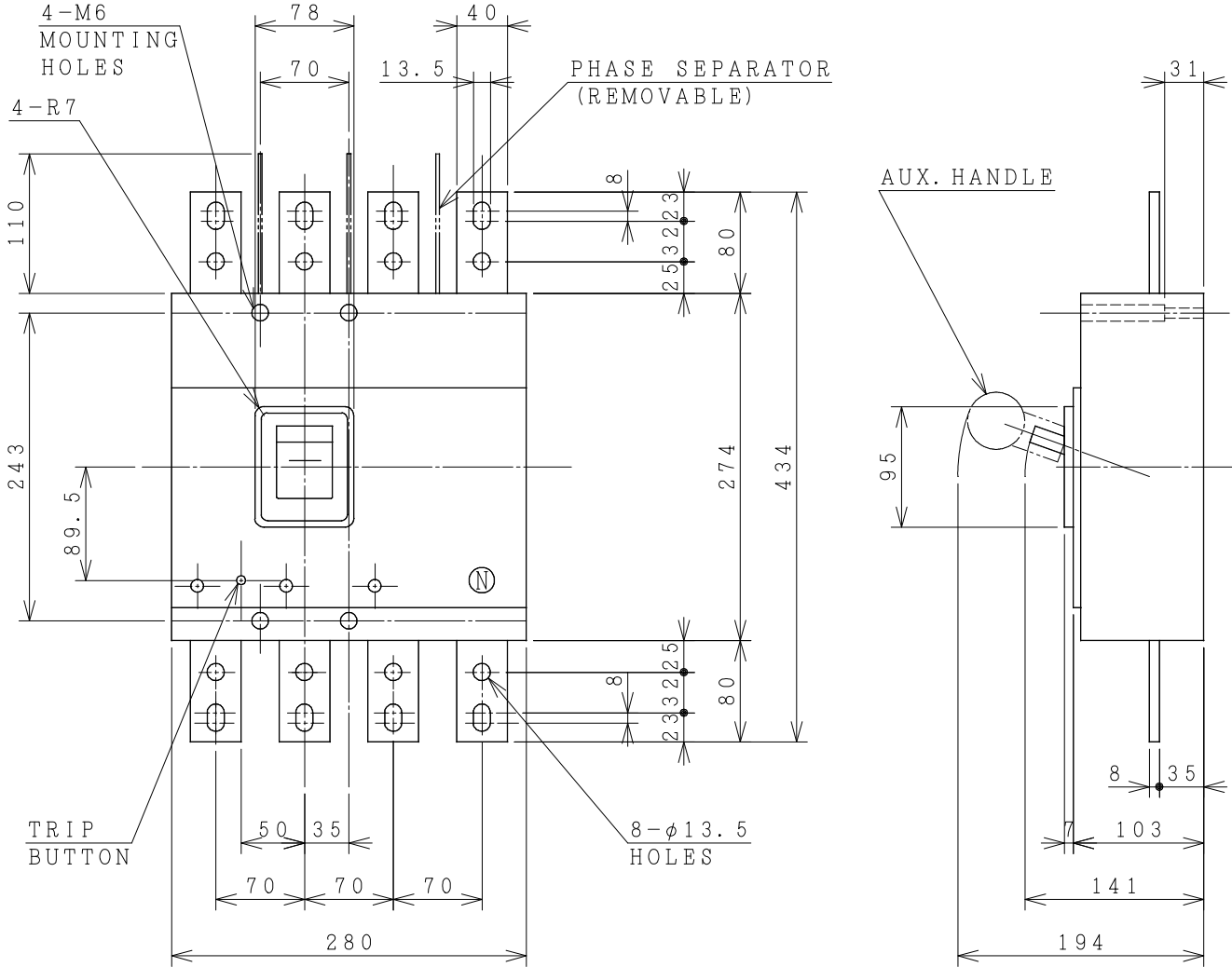


# HITACHI MOLDED CASE CIRCUIT BREAKER

Type	Poles	Rated Insulation Voltage (Ui)	IEC 60947-2 Icu/Ics [kA]		Rated Current	Base Ambient Temperature	Weight
			230V	400V			
F-800RH	4	690 V	125/63	85/43	700 800 A	40 °C	Δ 14 kg



DRILLING PLAN.

ACCESSORIES		
Part	Size	Q'ty
Phase separator	-	6
Terminal screw/bolt	M12x40	12
Mounting screw	M6x45	4
Assistant handle	-	1
Interior accessories		AL, AUX, SHT, UVT

Δ<sup>x1</sup> 03/07/20 O. SITTICHAJ / Ch. Chantidom / M. Somkit / S. Sugai

DWN. S. CHAIAMPOL	01/03/17	PROJECTION	TITLE
CHKD. J. Jantee			DIMENSION OF F-800RH
APPD. C. Krathisak		SCALE NTS.	
HITT WORKS DWG. No.			REV.
<b>HITACHI</b> Hitachi Industrial Technology (Thailand), Ltd.			01
			SH.
			01
			01

(Reference 43045477R02).  
 ※REMARK  
 -DIMENSION UNIT = Millimeter (mm).

4HTN000965