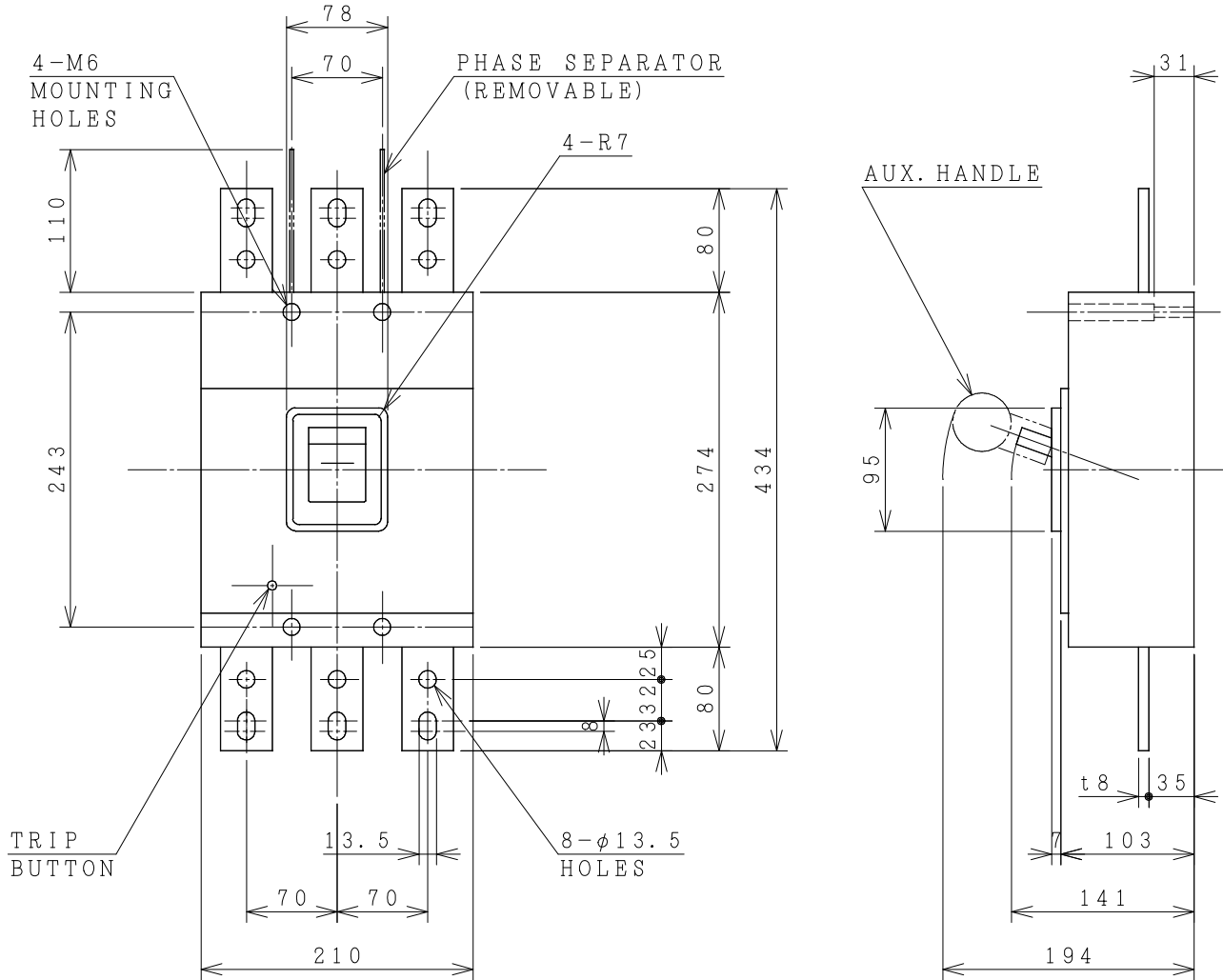
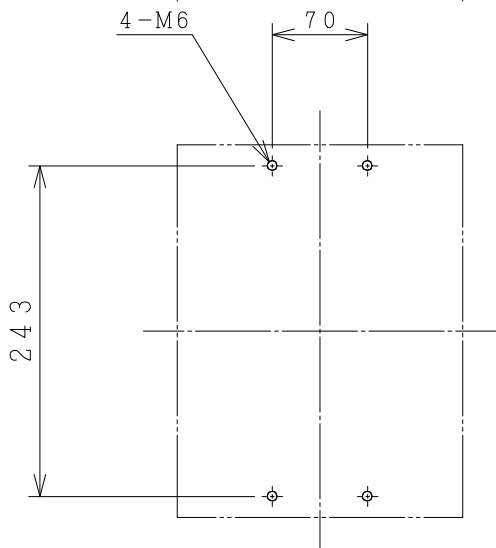


HITACHI MOLDED CASE CIRCUIT BREAKER

Type	Poles	Rated Insulation Voltage (Ui)	IEC 60947-2 Icu/Ics [kA]		Rated Current	Base Ambient Temperature	Weight
			230V	400V			
F-800RH	3	690 V	125/63	85/43	700 800 A	40 °C	Δ 10 kg



ACCESSORIES		
Part	Size	Q'ty
Phase separator	-	4
Terminal screw/bolt	M12x40	12
Mounting screw	M6x45	4
Assistant handle	-	1
Interior accessories		AL, AUX, SHT, UVT



Δ^{x1} 09/07/20 O. SITTICHAJ / Ch. Chantidom / M. Samkiet / S. Sugai

DWN. S. CHAIAMPOL	01/03/17	PROJECTION	TITLE
CHKD. J. Jiradee			DIMENSION OF F-800RH
APPD. C. Krathisak		SCALE NTS.	
			HITT WORKS DWG. No.
HITACHI Hitachi Industrial Technology (Thailand), Ltd.			4HTN000966
			REV.
			01
			SH.
			01
			01

(Reference 43043573R02).

※REMARK

-DIMENSION UNIT = Millimeter (mm).