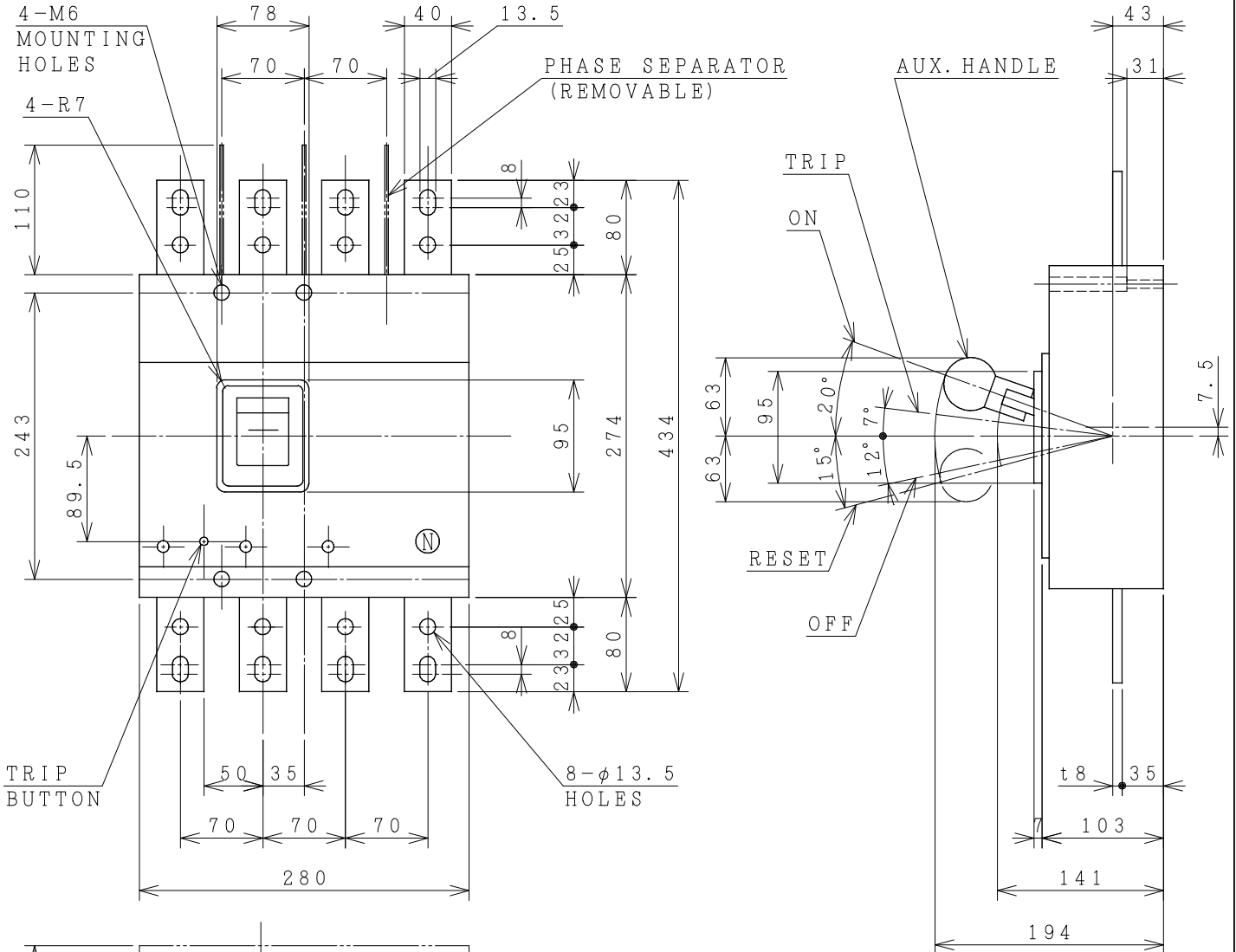
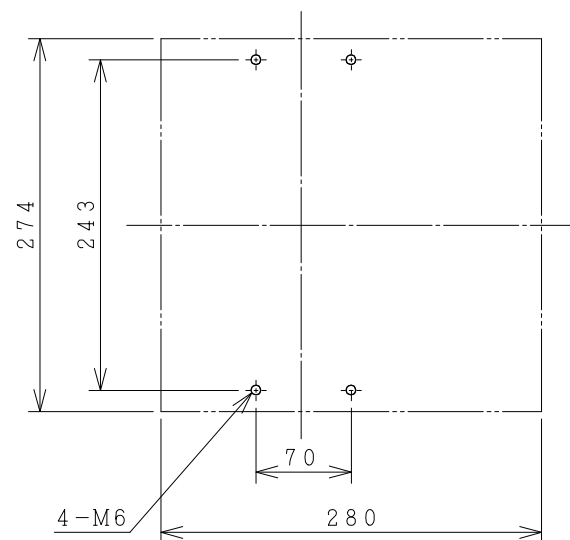


HITACHI MOLDED CASE CIRCUIT BREAKER

| Type | Poles | Rated Insulation Voltage (Ui) | IEC 60947-2 Icu/Ics [kA] | | Rated Current | Base Ambient Temperature | Weight |
|--------|-------|-------------------------------|--------------------------|-------|---------------|--------------------------|---------|
| | | | 230V | 400V | | | |
| F-800R | 4 | 690 V | 100/100 | 50/50 | 700 800 A | 40 °C | Δ 14 kg |



| ACCESSORIES | | |
|----------------------|-------------------|------|
| Part | Size | Q'ty |
| Phase separator | - | 6 |
| Terminal screw/bolt | M12x40 | 16 |
| Mounting screw | M6x45 | 4 |
| Assistant handle | - | 1 |
| Interior accessories | AL, AUX, SHT, UVT | |



Δ^{x1} 14/07/20 O. SITTICHAJ / Ch. Chantolun / M. Samkiet / S. Sugai

| | | | |
|-------------------|----------|------------|---------------------|
| DWN. S. CHAIAMPOL | 01/03/17 | PROJECTION | TITLE |
| CHKD. J. Jantee | | | DIMENSION OF F-800R |
| APPD. T. Sotiguch | | SCALE NTS. | |

HITT WORKS DWG. No. 4HTN000967

HITACHI
Hitachi Industrial Technology (Thailand), Ltd.

| | |
|------|----|
| REV. | 01 |
| SH. | 01 |
| | 01 |

(Reference 43037200R03).
 ※REMARK
 -DIMENSION UNIT = Millimeter (mm).