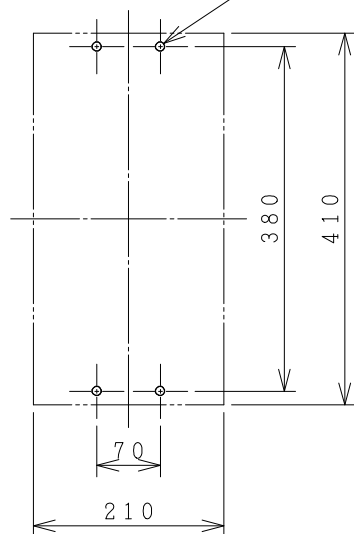
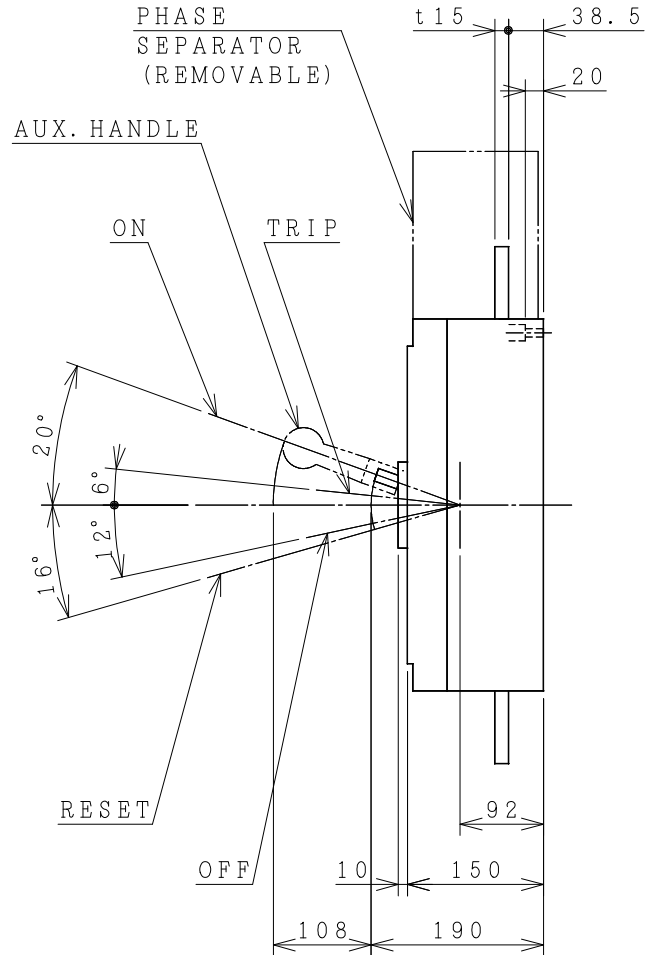
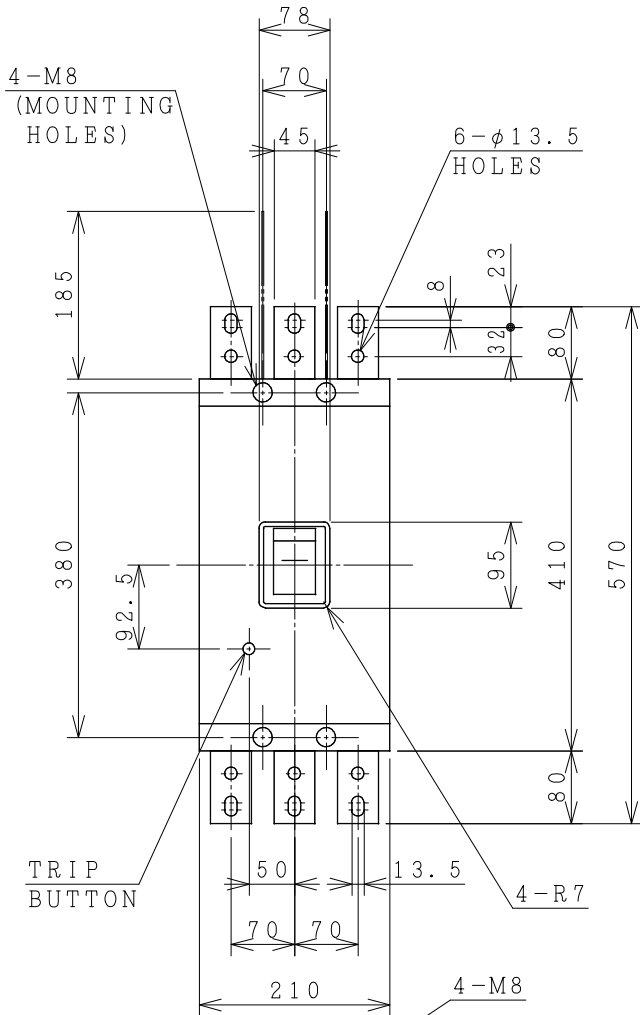


HITACHI MOLDED CASE CIRCUIT BREAKER

Type	Poles	Rated Insulation Voltage (Ui)	IEC 60947-2 Icu/Ics [kA]		Rated Current	Base Ambient Temperature	Weight
			230V	400V			
F-1000K	3	690 V	125/32	85/22	1000 A	40 °C	26 kg



DRILLING PLAN.

ACCESSORIES		
Part	Size	Q'ty
Phase separator	-	2
Terminal screw/bolt	M12x50	12
Mounting screw	M8x40	4
Assistant handle	-	1
Interior accessories		AL, AUX, SHT, UVT

(Reference 43048571R02).

※REMARK

-DIMENSION UNIT = Millimeter (mm).

DWN.	S. CHATAMPOL	06/03/17	PROJECTION	TITLE
CHKD.	J. Imdee			DIMENSION OF F-1000K
	C. Krathisak		SCALE	
APPD.	Z. Sokiguch		NTS.	
HITACHI Hitachi Industrial Technology (Thailand), Ltd.				HITT WORKS DWG. No.
				4HTN000970
				REV.
				00
				SH.
				01
				01