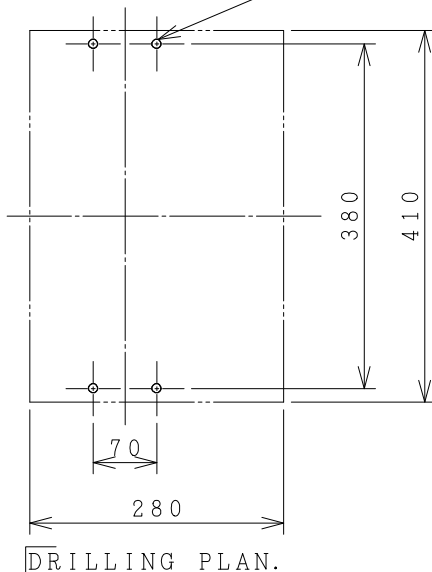
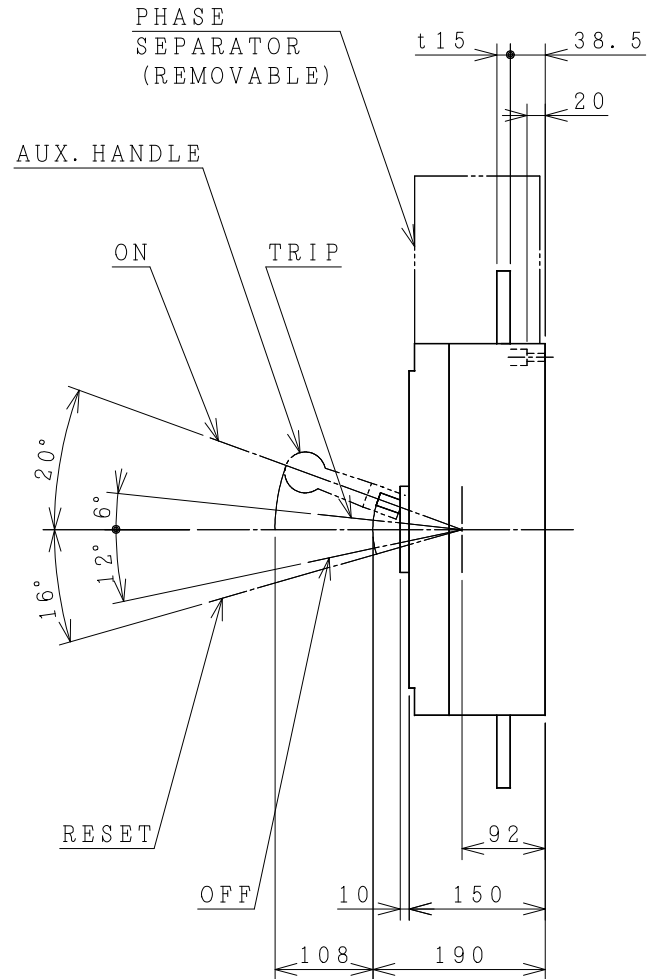
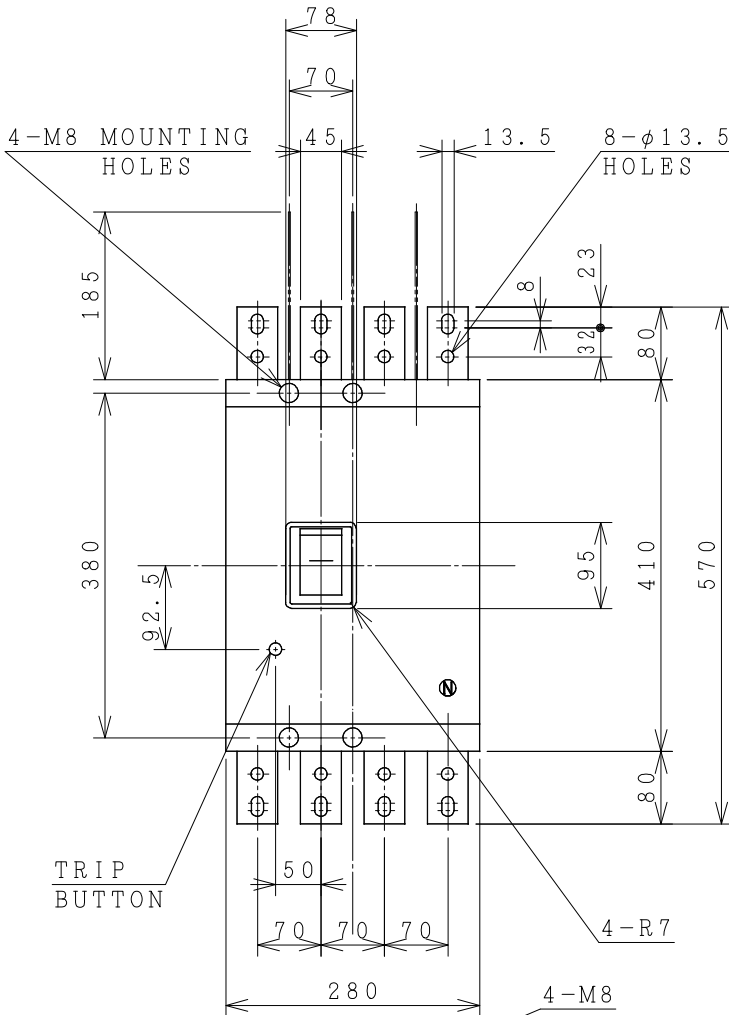


HITACHI MOLDED CASE CIRCUIT BREAKER

Type	Poles	Rated Insulation Voltage (Ui)	IEC 60947-2		Rated Current	Base Ambient Temperature	Weight
			Icu/Ics [kA]	230V			
F-1200K	4	690 V	125/32	85/22	1200 A	40 °C	33 kg



ACCESSORIES		
Part	Size	Q'ty
Phase separator	-	3
Terminal screw/bolt	M12x50	16
Mounting screw	M8x40	4
Assistant handle	-	1
Interior accessories		AL, AUX, SHT, UVT

DWN. S. CHAIAMPOL	06/03/17	PROJECTION	TITLE
CHKD. J. Imdee			DIMENSION OF F-1200K
APPD. C. Krathisak		SCALE NTS.	
HITT WORKS DWG. No.			REV.
HITACHI Hitachi Industrial Technology (Thailand), Ltd.			00
			01
			01
			01

(Reference 33020274R03).
 ※REMARK
 -DIMENSION UNIT = Millimeter (mm).

4HTN000972