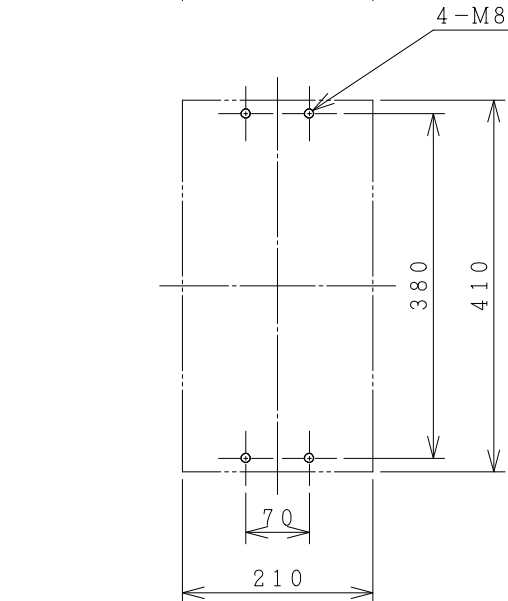
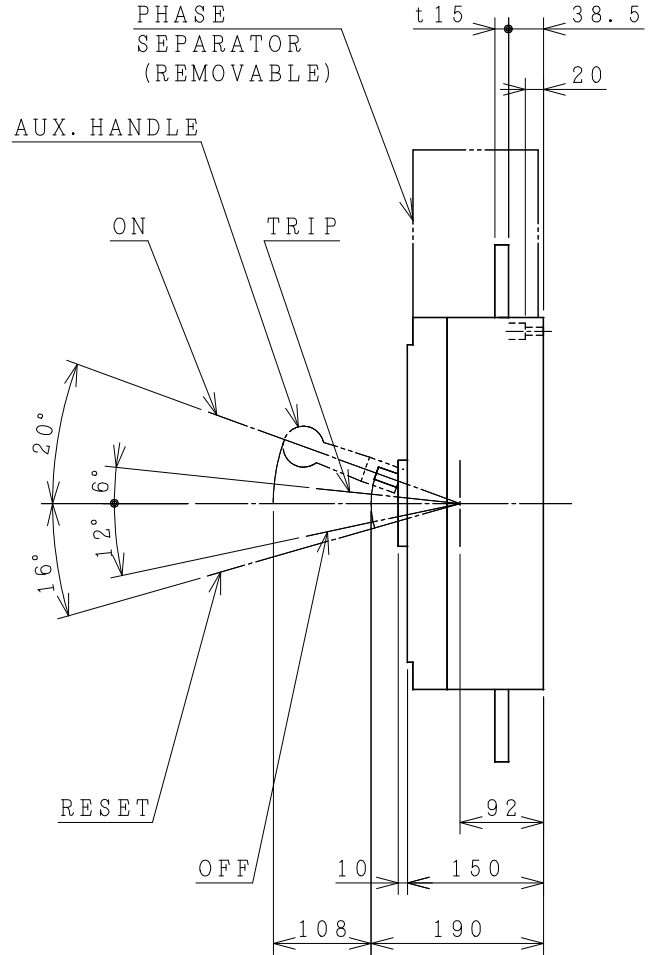
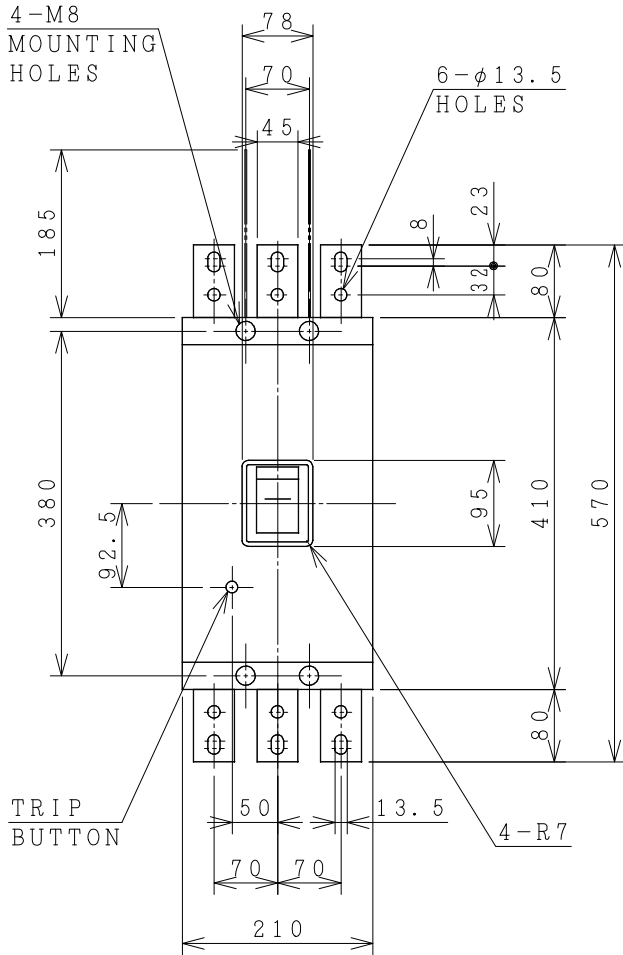


HITACHI MOLDED CASE CIRCUIT BREAKER

Type	Poles	Rated Insulation Voltage (Ui)	IEC 60947-2		Rated Current	Base Ambient Temperature	Weight
			Icu/Ics [kA]	230V			
F-1200K	3	690 V	125/32	85/22	1200 A	40 °C	26 kg



DRILLING PLAN.

ACCESSORIES		
Part	Size	Q'ty
Phase separator	-	2
Terminal screw/bolt	M12x50	12
Mounting screw	M8x40	4
Assistant handle	-	1
Interior accessories		AL, AUX, SHT, UVT

(Reference 43048572R02).

※REMARK

-DIMENSION UNIT = Millimeter (mm).

DWN.	S. CHAIAMPOL	06/03/17	PROJECTION	TITLE
CHKD.	J. Jiradee			DIMENSION OF F-1200K
APPD.	C. Krathisak		SCALE NTS.	
				HITT WORKS DWG. No.
HITACHI Hitachi Industrial Technology (Thailand), Ltd.				4HTN000973
				REV.
				00
				SH.
				01
				01