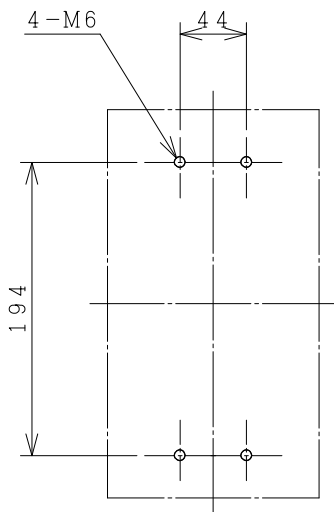
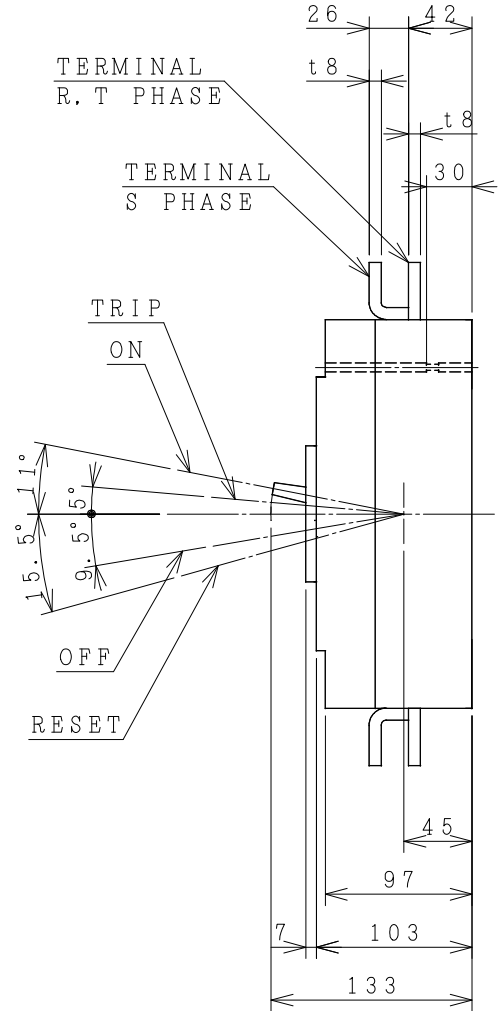
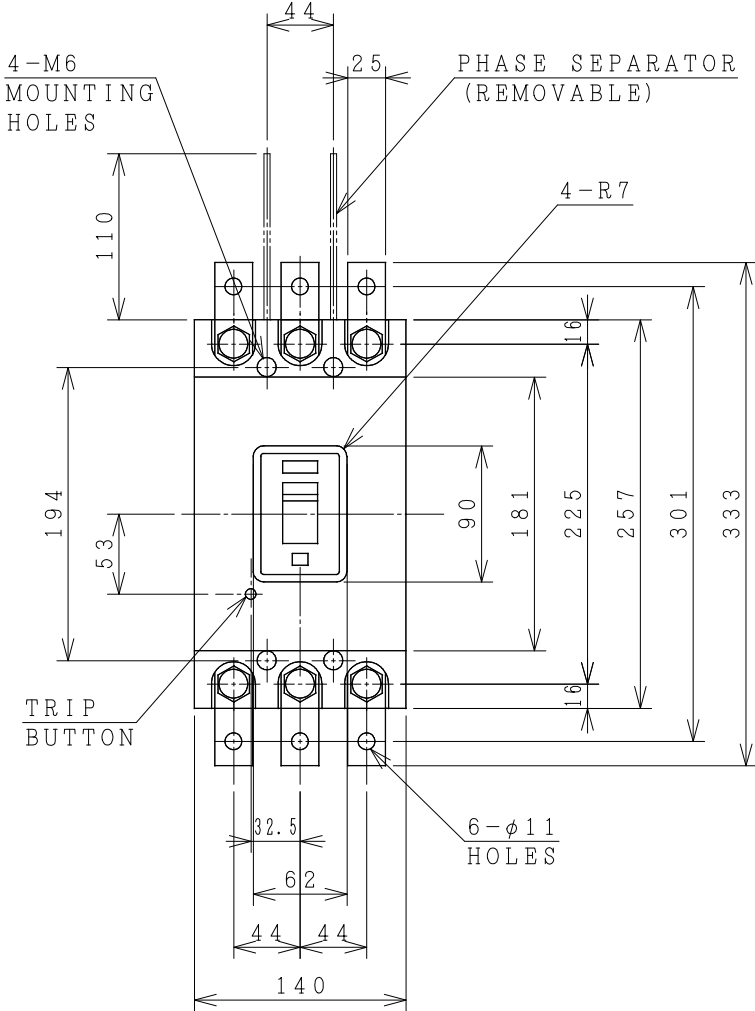


# HITACHI MOLDED CASE CIRCUIT BREAKER

Type	Poles	Rated Insulation Voltage (Ui)	IEC 60947-2 Icu/Ics [kA]		Rated Current	Base Ambient Temperature	Weight
			230V	400V			
S-400S	2	690 V	50/25	36/18	250 300	40 °C	Δ 4.9 kg
F-400R	3		100/100	50/50	350 400 A		Δ 5.6 kg
L-400E	3		175/88	125/32			



DRILLING PLAN.

ACCESSORIES			
Part	Size	Qty	
		2P	3P
Phase separator	-	2	4
Terminal screw/bolt	M10x30	6	6
Mounting screw	M6x45	4	4
Assistant handle	-	-	-

Interior accessories | AL, AUX, SHT, UVT

(Reference 43041065R05).

**\*REMARK**

-DC CIRCUIT BREAKER OF L-400E DOSE NOT MANUFACTURE.

-DIMENSION UNIT = Millimeter (mm).

Δ<sup>2</sup> 24/06/20 O. SITTICHAJ / Ch. Chantidom / M. Samkit / S. Sugai

DWN. S. CHAIAMPOL	03/03/17	PROJECTION	TITLE
CHKD. J. Jantee			DIMENSION OF S-400S, F-400R, L-400E
APPD. C. Krathisak		SCALE	
		NTS.	
HITT WORKS DWG. No.			REV.
<b>HITACHI</b> Hitachi Industrial Technology (Thailand), Ltd.			01
			SH.
			01
			01

4HTN000982