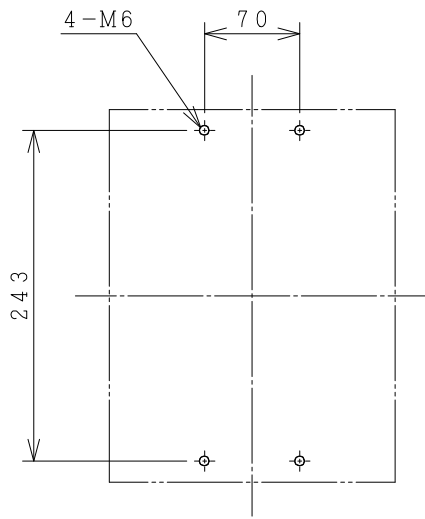
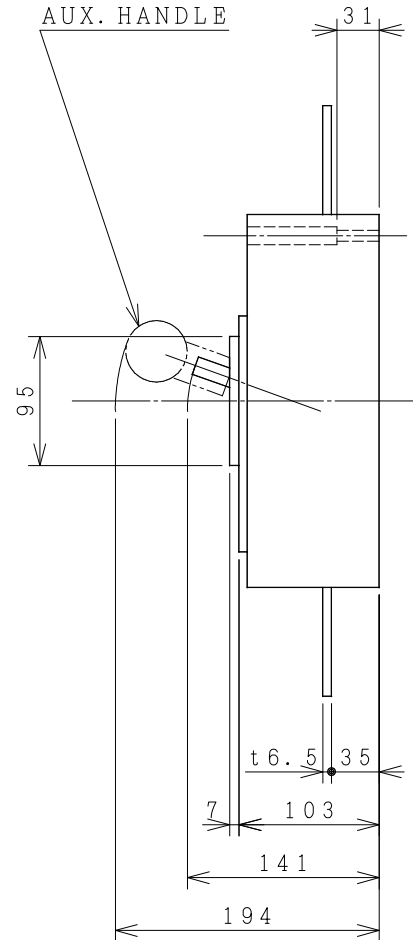
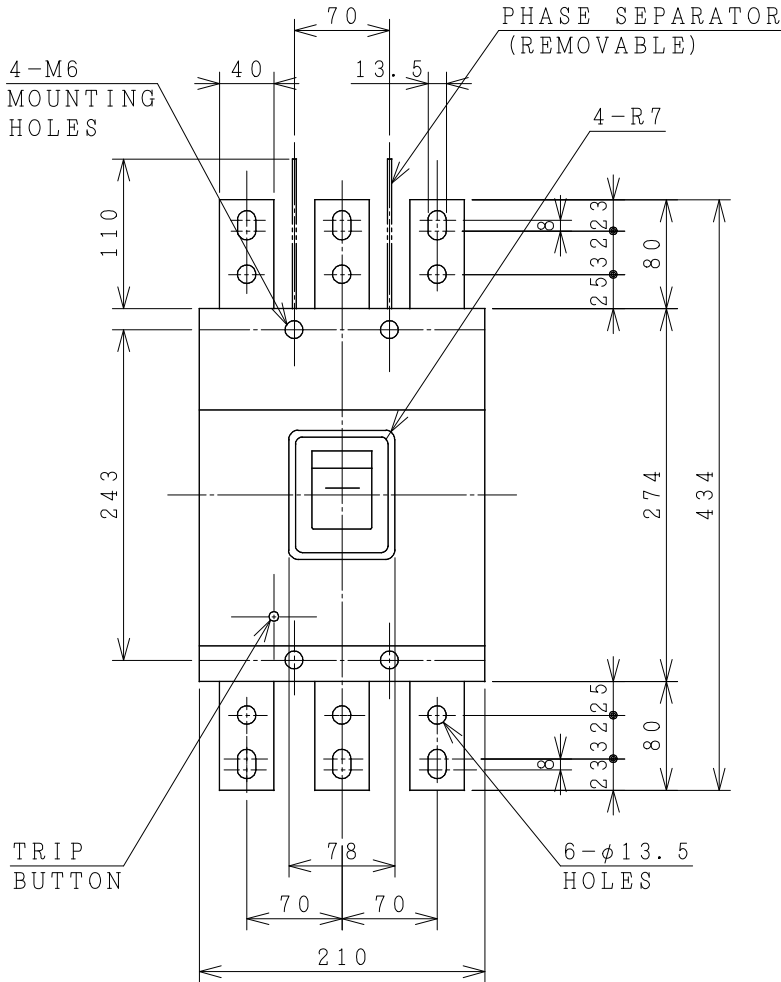


HITACHI MOLDED CASE CIRCUIT BREAKER

Type	Poles	Rated Insulation Voltage (Ui)	IEC 60947-2		Rated Current	Base Ambient Temperature	Weight
			Icu [kA]	Ics [kA]			
Δ L-600E	3	690 V	175/88	125/32	500 600 A	40 °C	Δ 9 kg



DRILLING PLAN.

ACCESSORIES			
Part	Size	Qty	
		2P	3P
Phase separator	-	2	4
Terminal screw/bolt	M12x40	12	12
Mounting screw	M6x45	4	4
Assistant handle	-	1	1
Interior accessories	AL, AUX, SHT, UVT		

(Reference 43041066R02).

※REMARK

-DC CIRCUIT BREAKER OF L-600E DOSE NOT MANUFACTURE.

-DIMENSION UNIT = Millimeter (mm).

BWN.	S. CHAIAMPOL	03/03/17	PROJECTION	TITLE	DIMENSION OF L-600E
CHKD.	J. Jantee		SCALE		
APPD.	C. Krathsak		NTS.		
HITT WORKS DWG. No.					REV.
 Hitachi Industrial Technology (Thailand), Ltd.					01
					4HTN000985