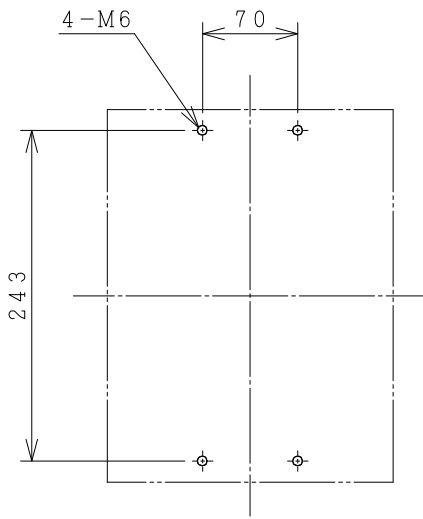
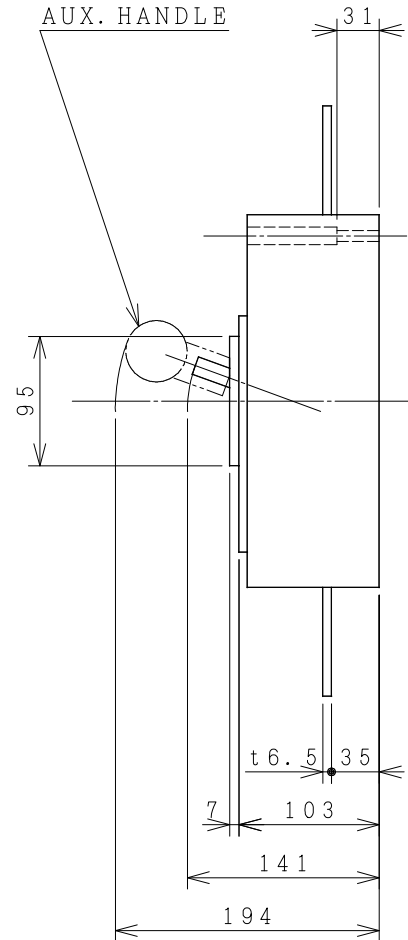
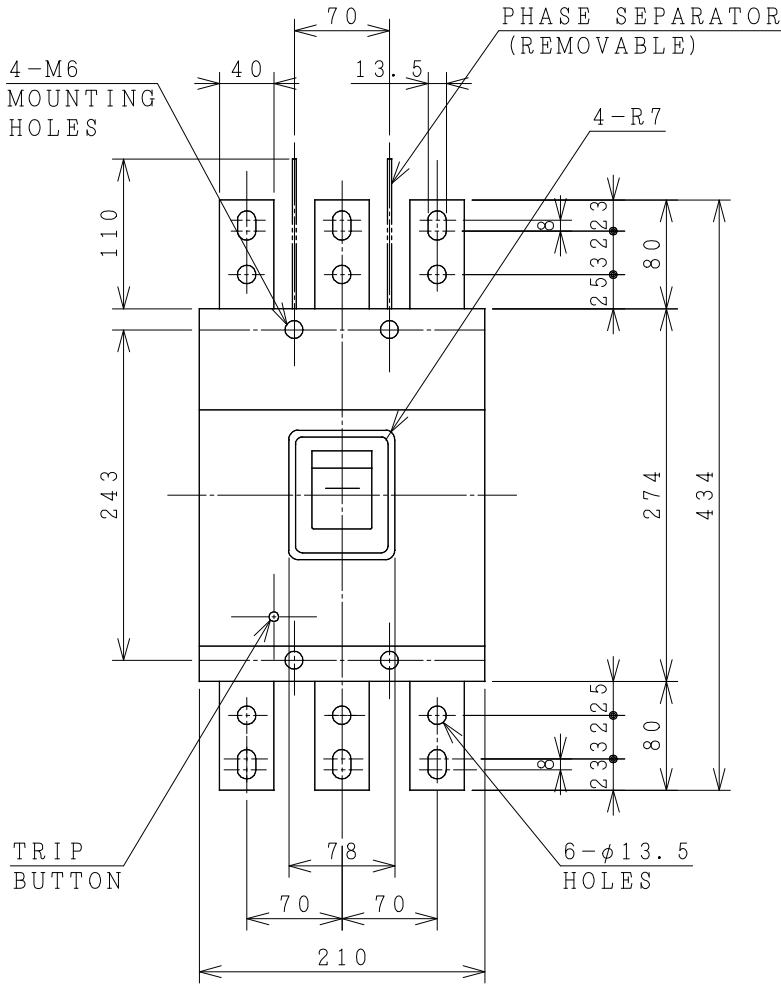


# HITACHI MOLDED CASE CIRCUIT BREAKER

Type	Poles	Rated Insulation Voltage (Ui)	IEC 60947-2		Rated Current	Base Ambient Temperature	Weight
			Icu [kA]	Ics [kA]			
S-800S	3	690	230V	400V	700 800	40	△10
F-800R			85/43	36/18			
L-800E			100/100	50/50			
			V		A	°C	kg



DRILLING PLAN.

ACCESSORIES		
Part	Size	Q'ty
Phase separator	-	4
Terminal screw/bolt	M12x40	12
Mounting screw	M6x45	4
Assistant handle	-	1
Interior accessories		AL, AUX, SHT, UVT

(Reference 43041067R03).

※REMARK

-DC CIRCUIT BREAKER OF L-600E DOSE NOT MANUFACTURE.

-DIMENSION UNIT = Millimeter (mm).

BWN.	S. CHAITAMPOL	03/03/17	PROJECTION	TITLE
CHKD.	J. Jantee			DIMENSION OF S-800S, F-800R, L-800E
APPD.	C. Krathisak		SCALE NTS.	
HITT WORKS DWG. No.				REV.
<b>HITACHI</b> Hitachi Industrial Technology (Thailand), Ltd.				01
				01

4HTN000986