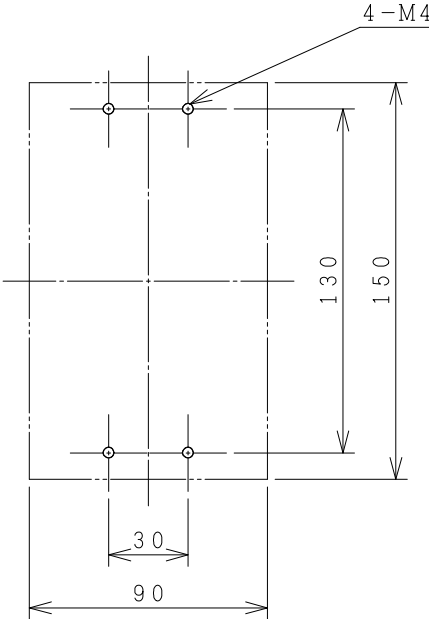
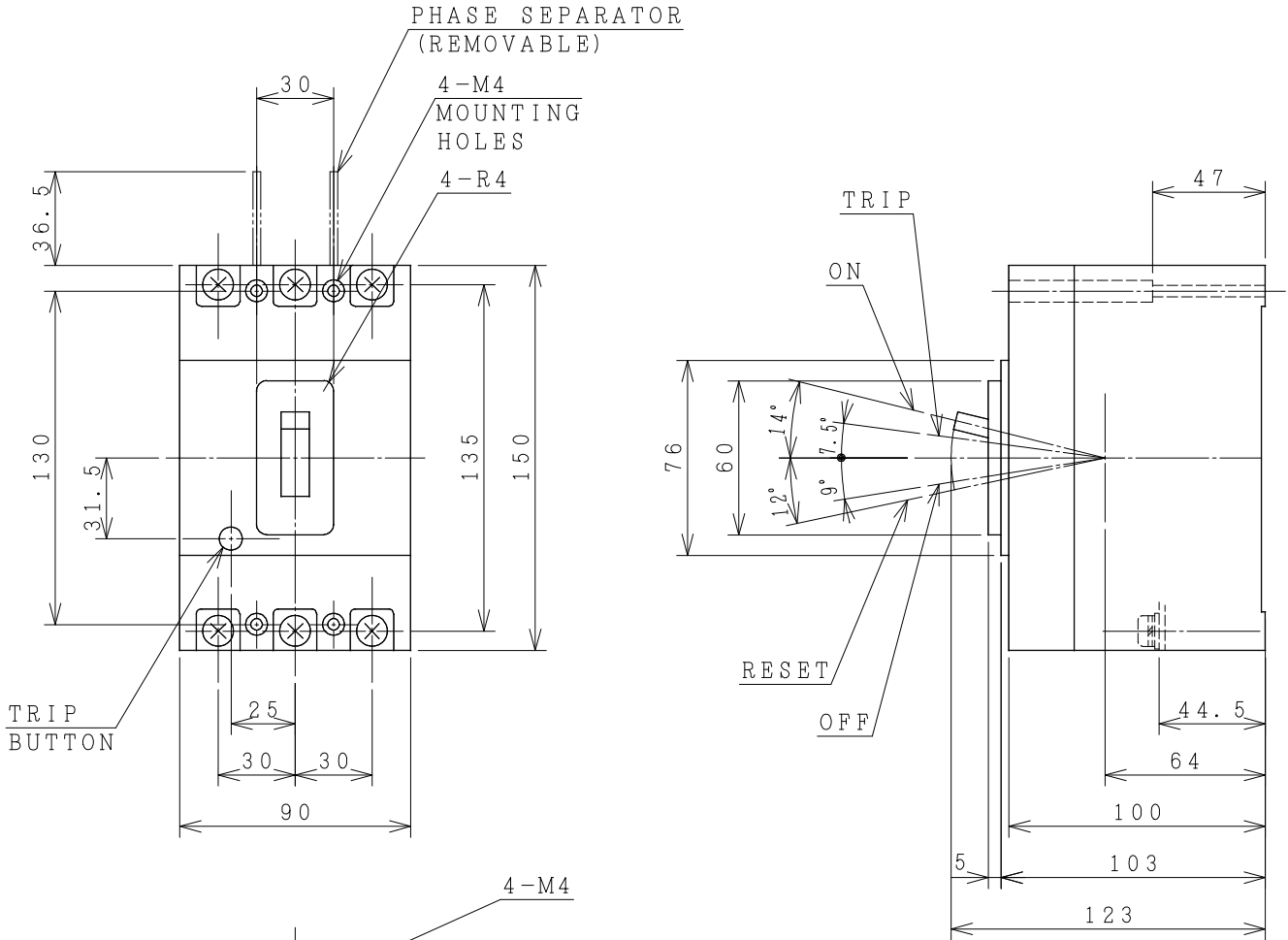


HITACHI MOLDED CASE CIRCUIT BREAKER

Type	Poles	Rated Insulation Voltage (Ui)	IEC 60947-2 Icu/Ics [kA]		Rated Current	Base Ambient Temperature	Weight
			230V	400V			
L-100E	3	690 V	175/88	125/32	15 20 30	40 °C	2.0 kg
					40 50 60		
					75 100 A		



DRILLING PLAN.

ACCESSORIES		
Part	Size	Q'ty
Phase separator	-	4
Terminal screw/bolt	M8x14	6
Mounting screw	M4x65	4
Assistant handle	-	-
Interior accessories		AL, AUX, SHT, UVT

(Reference 43040361R04).
 *REMARK
 -DIMENSION UNIT = Millimeter (mm).

DWN. S. CHAIAMPOL	01/03/17	PROJECTION	TITLE
CHKD. J. Imdee	S	SCALE NTS.	DIMENSION OF L-100E
APPD. T. Sookiguch			
HITACHI Hitachi Industrial Technology (Thailand), Ltd.			HITT WORKS DWG. No. 4HTN000990
			REV. 00 SH. 01 01