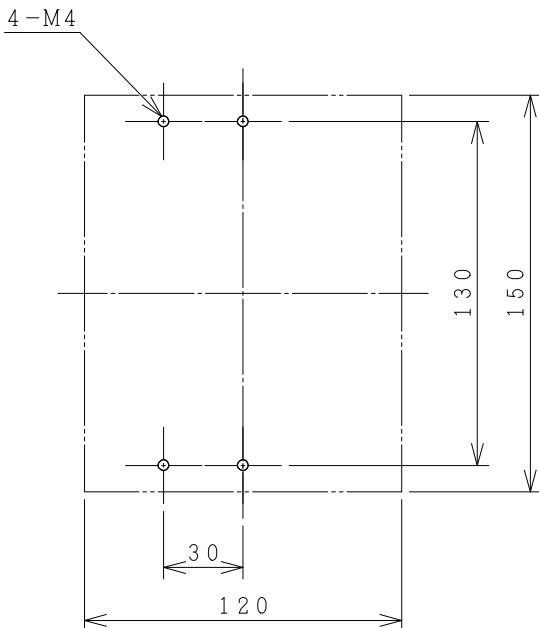
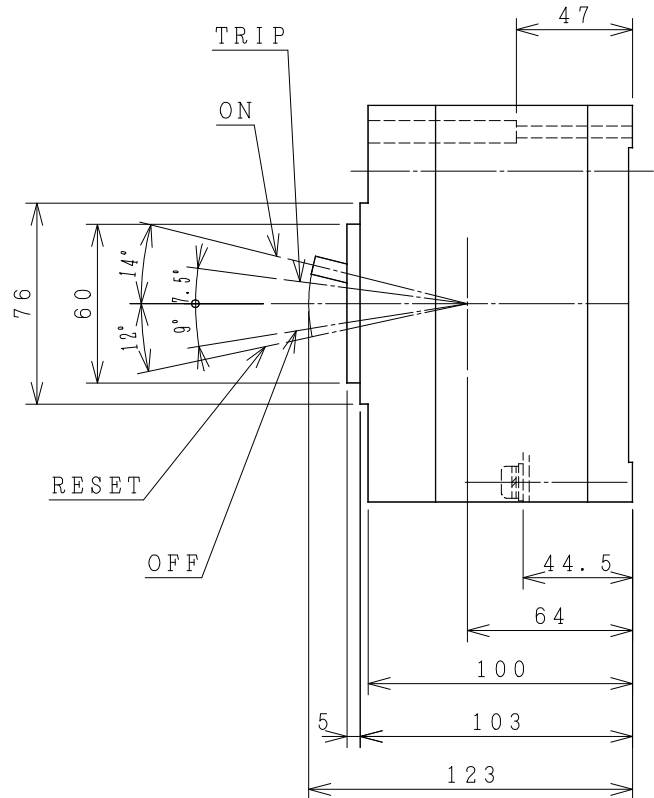
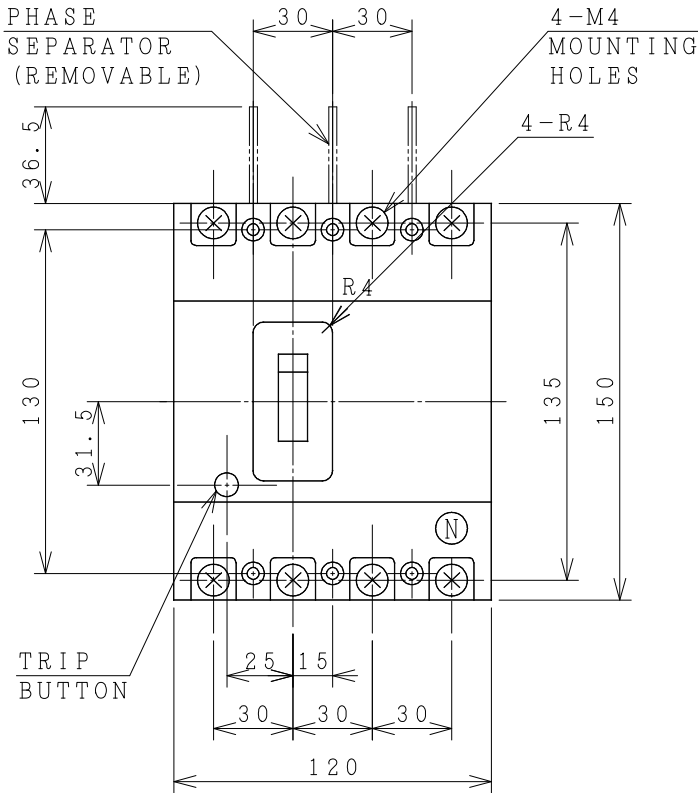


HITACHI MOLDED CASE CIRCUIT BREAKER

Type	Poles	Rated Insulation Voltage (Ui)	IEC 60947-2 Icu/Ics [kA]		Rated Current	Base Ambient Temperature	Weight
			230V	400V			
L-100E	4	690 V	175/88	125/32	15 20 30 40 50 60 75 100 A	40 °C	2.5 kg



DRILLING PLAN.

ACCESSORIES		
Part	Size	Q'ty
Phase separator	-	6
Terminal screw/bolt	M8x14	12
Mounting screw	M4x65	4
Assistant handle	-	-
Interior accessories	AL, AUX, SHT, UVT	

DWN. S. CHAIAMPOL	01/03/17	PROJECTION	TITLE	REV.
CHKD. J. Jiradee		SCALE	DIMENSION OF L-100E	00
APPD. C. Krathisak		NTS.		01
HITT WORKS DWG. No.			4HTN000991	01
HITACHI Hitachi Industrial Technology (Thailand), Ltd.				

(Reference 43043758R03).

*REMARK

-DIMENSION UNIT = Millimeter (mm).