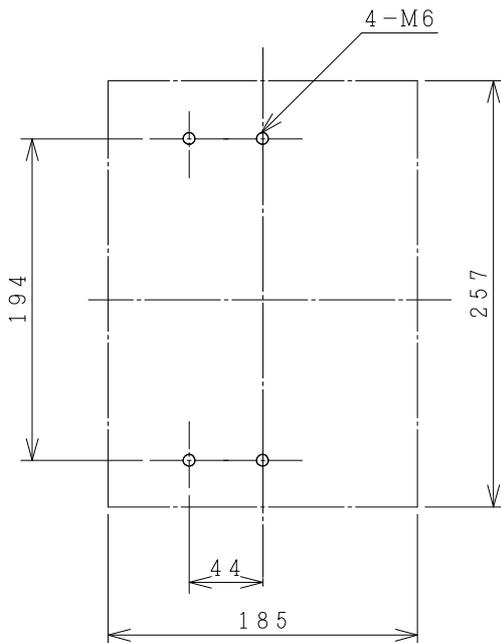
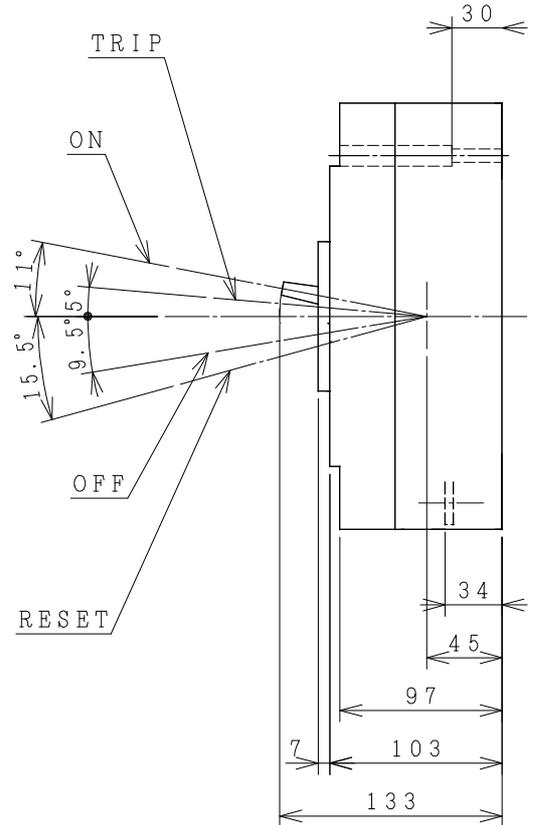
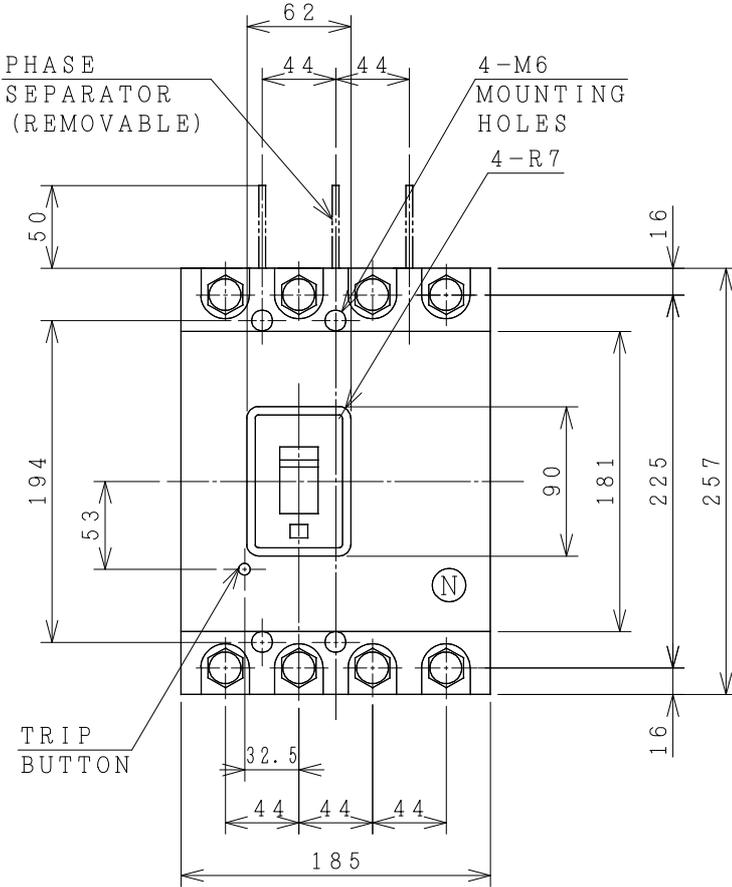


HITACHI MOLDED CASE CIRCUIT BREAKER

Type	Poles	Rated Insulation Voltage (Ui)	IEC 60947-2 Icu/Ics [kA]		Rated Current	Base Ambient Temperature	Weight
			230V	400V			
L-225E	4	690 V	175/88	125/32	125 150 175 200 225 A	40 °C	7.0 kg



DRILLING PLAN.

ACCESSORIES		
Part	Size	Q'ty
Phase separator	-	6
Terminal screw/bolt	M10x25	12
Mounting screw	M6x45	4
Assistant handle	-	-
Interior accessories		AL, AUX, SHT, UVT

(Reference 43058378R02).
 *REMARK
 -DIMENSION UNIT = Millimeter (mm).

DWN. S. CHAIAMPOL	01/03/17	PROJECTION	TITLE
CHKD. J. Jiradee		SCALE	DIMENSION OF L-225E
APPD. T. Sookiguch		NTS.	
HITT WORKS DWG. No.			REV.
4HTN000992			00
			01
			01

HITACHI
 Hitachi Industrial Technology (Thailand), Ltd.