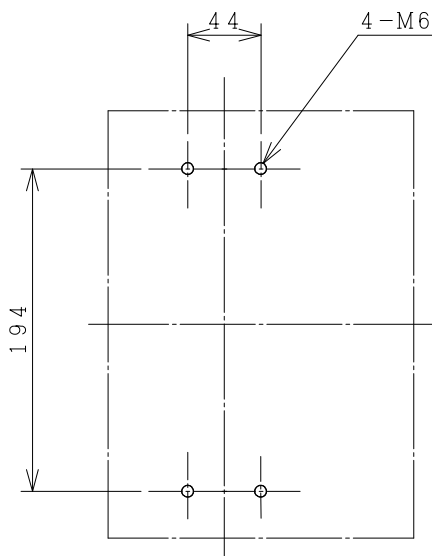
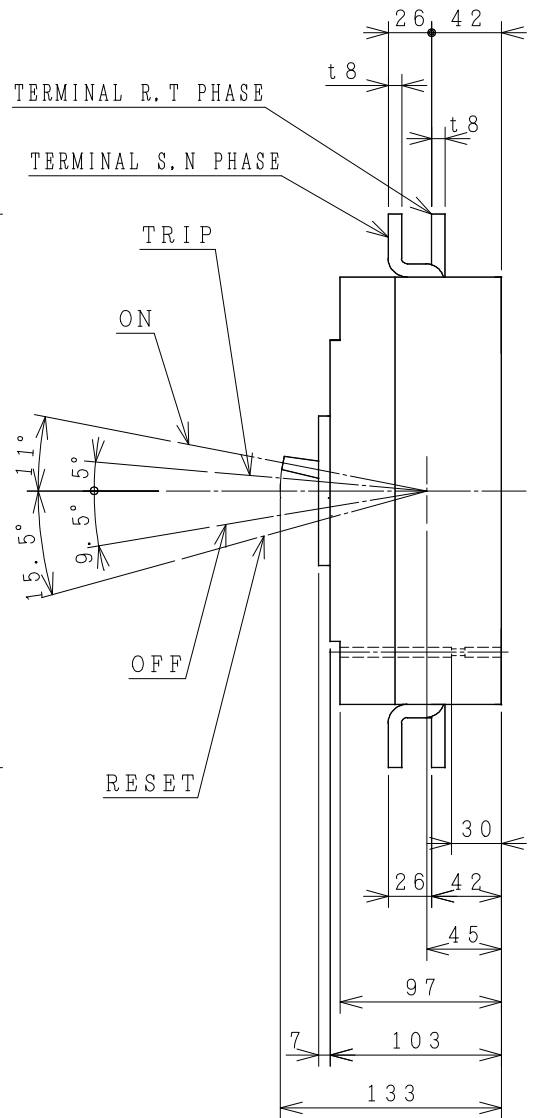
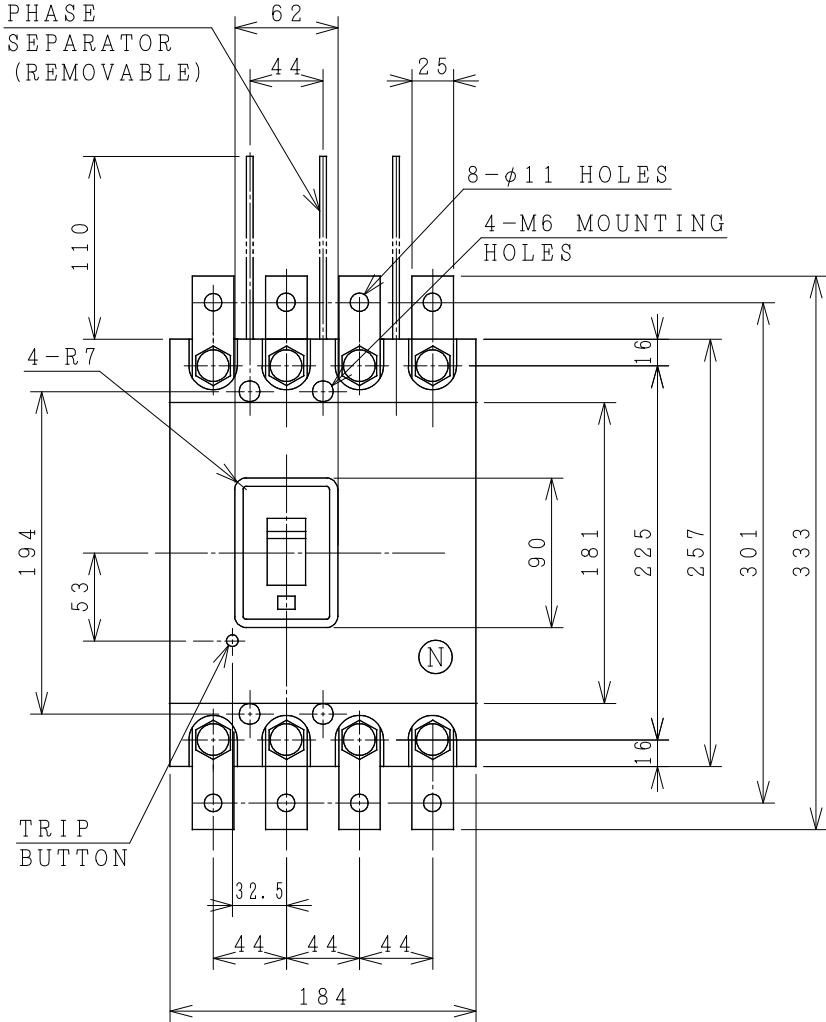


HITACHI MOLDED CASE CIRCUIT BREAKER

Type	Poles	Rated Insulation Voltage (Ui)	IEC 60947-2 Icu/Ics [kA]		Rated Current	Base Ambient Temperature	Weight
			230V	400V			
L-400E	4	690	175/88	125/32	250 300	40	8.2
F-400R			100/100	50/50	350 400		



DRILLING PLAN.

ACCESSORIES		
Part	Size	Q'ty
Phase separator	-	6
Terminal screw/bolt	M10x30	12
Mounting screw	M6x45	4
Assistant handle	-	-
Interior accessories		AL, AUX, SHT, UVT

DWN. S. CHAIAMPOL	01/03/17	PROJECTION	TITLE
CHKD. J. Jiradee	S	SCALE	DIMENSION OF L-400E, F-400R
APPD. C. Krathisak		NTS.	
HITACHI Hitachi Industrial Technology (Thailand), Ltd.			HITT WORKS DWG. No. 4HTN000993
(Reference 43037153R04). *REMARK -DIMENSION UNIT = Millimeter (mm).			REV. 00 SH. 01 01