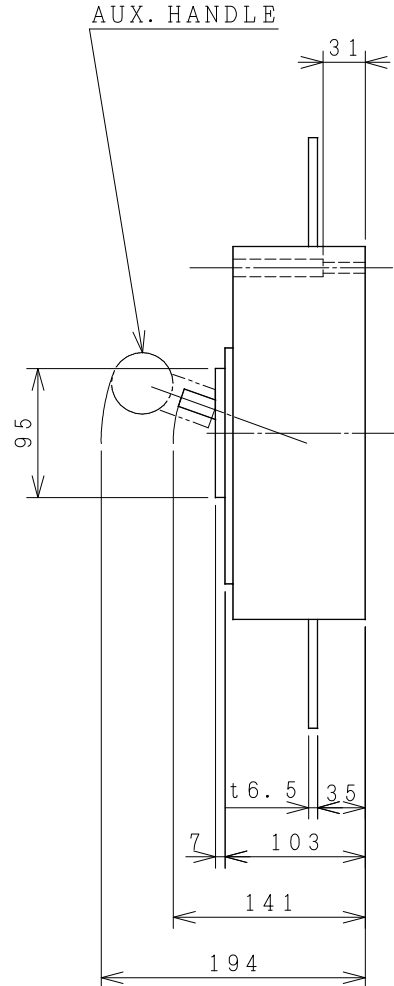
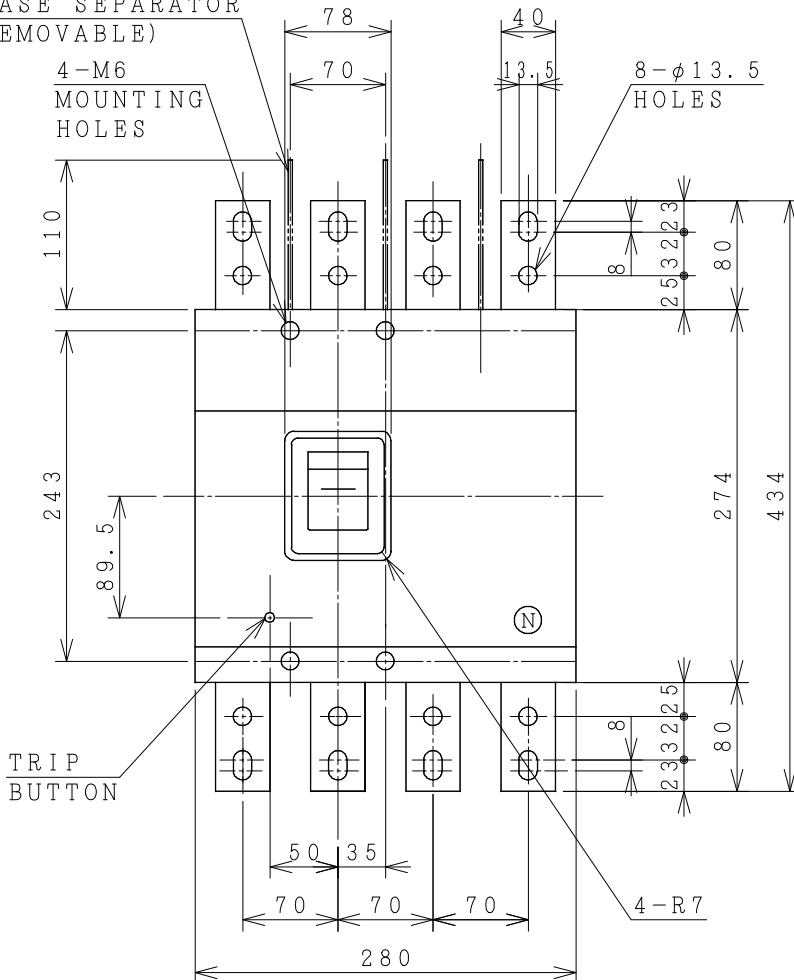


# HITACHI MOLDED CASE CIRCUIT BREAKER

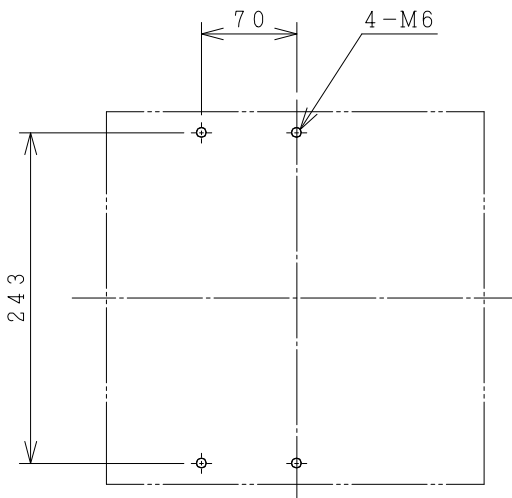
Type	Poles	Rated Insulation Voltage (Ui)	IEC 60947-2 Icu/Ics [kA]		Rated Current	Base Ambient Temperature	Weight
			230V	400V			
L-600E	4	690 V	175/88	125/32	500 600 A	40 °C	13 kg

PHASE SEPARATOR (REMOVABLE)



TRIP BUTTON

AUX. HANDLE



DRILLING PLAN.

ACCESSORIES		
Part	Size	Q'ty
Phase separator	-	6
Terminal screw/bolt	M12x40	12
Mounting screw	M6x45	4
Assistant handle	-	1
Interior accessories	AL, AUX, SHT, UVT	

DWN. S. CHAIAMPOL	01/03/17	PROJECTION	TITLE
CHKD. J. Jantee			DIMENSION OF L-600E
APPD. C. Krathisak		SCALE NTS.	

(Reference 43058383R03).

※REMARK

-DIMENSION UNIT = Millimeter (mm).

**HITACHI**  
Hitachi Industrial Technology (Thailand), Ltd.

HITT WORKS DWG. No.

4HTN000994

REV.
00
SH.
01
01