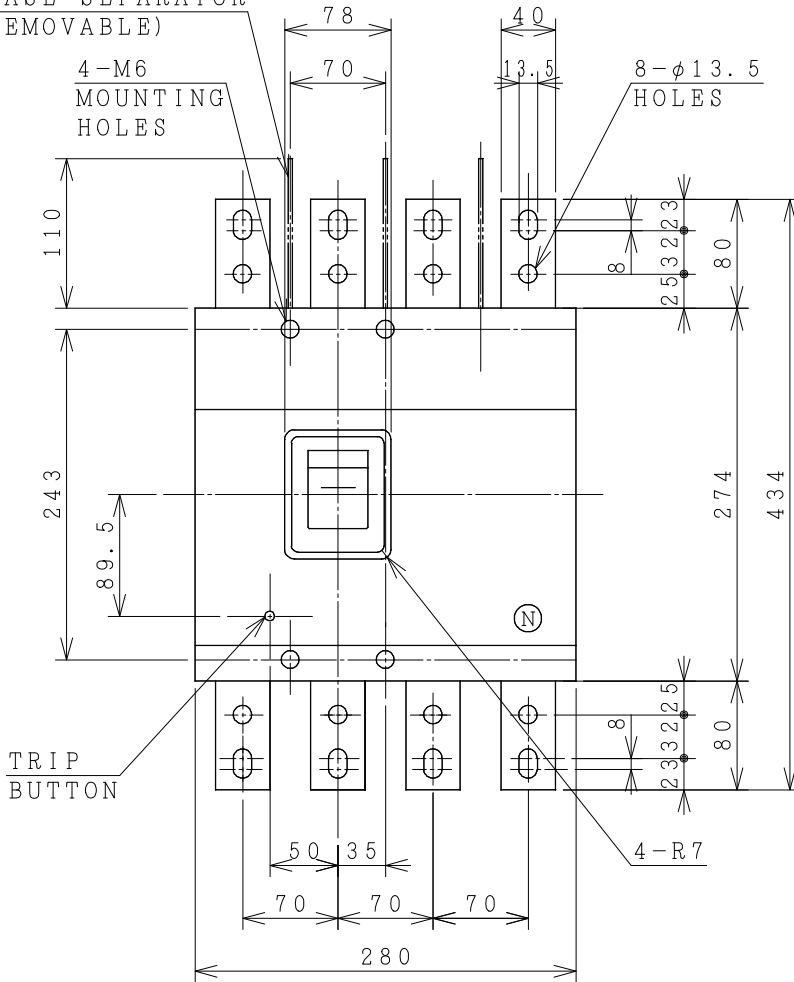


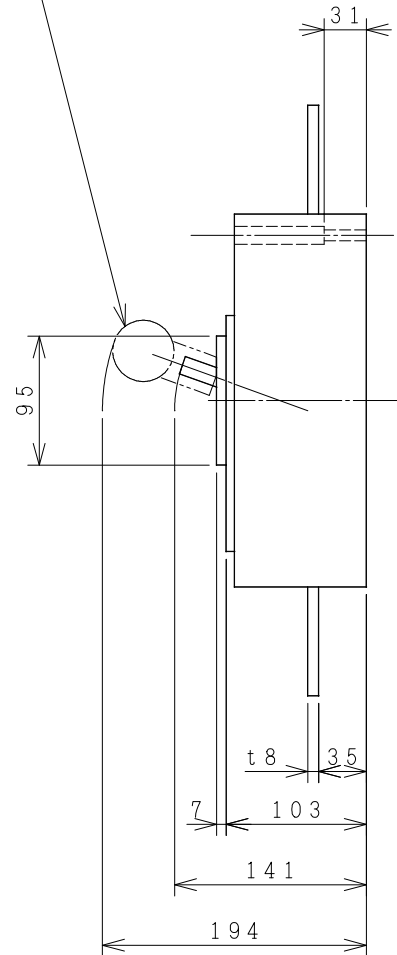
HITACHI MOLDED CASE CIRCUIT BREAKER

Type	Poles	Rated Insulation Voltage (Ui)	IEC 60947-2		Rated Current	Base Ambient Temperature	Weight
			Icu/Ics [kA]	230V			
L-800E	4	690 V	175/88	125/32	700 800 A	40 °C	Δ 14 kg

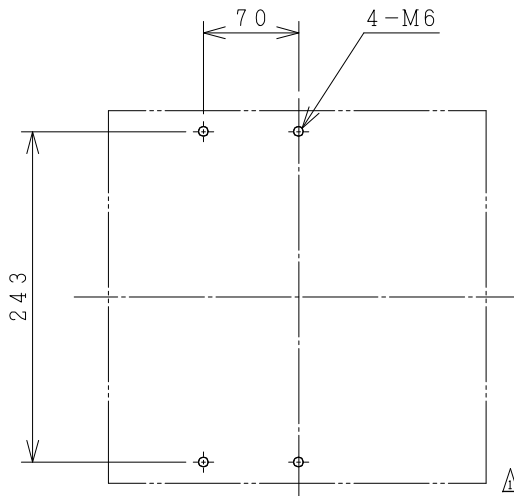
PHASE SEPARATOR
(REMOVABLE)



AUX. HANDLE



TRIP
BUTTON



DRILLING PLAN.

ACCESSORIES		
Part	Size	Q'ty
Phase separator	-	6
Terminal screw/bolt	M12x40	16
Mounting screw	M6x45	4
Assistant handle	-	1
Interior accessories		AL, AUX, SHT, UVT

Δ^{x1} 14/07/20 O. SITTICHAJ / Ch. Chantolun / M. Somkiat / S. Sugai

DWN.	S. CHAIAMPOL	01/03/17	PROJECTION	TITLE
CHKD.	J. Jantee			DIMENSION OF L-800E
APPD.	C. Krathisak		SCALE NTS.	

(Reference 43058384R02).

※REMARK

-DIMENSION UNIT = Millimeter (mm).

HITACHI
Hitachi Industrial Technology (Thailand), Ltd.

HITT WORKS DWG. No.

4HTN000995

REV.	01
SH.	01
	01