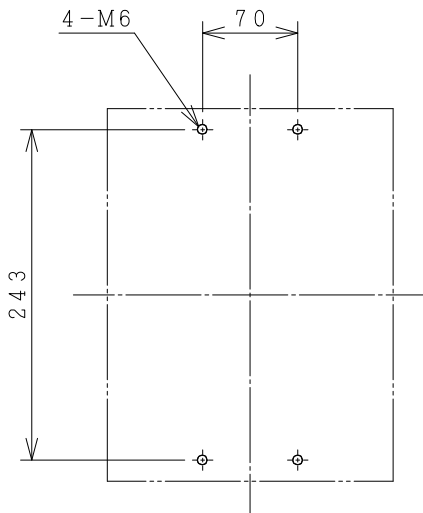
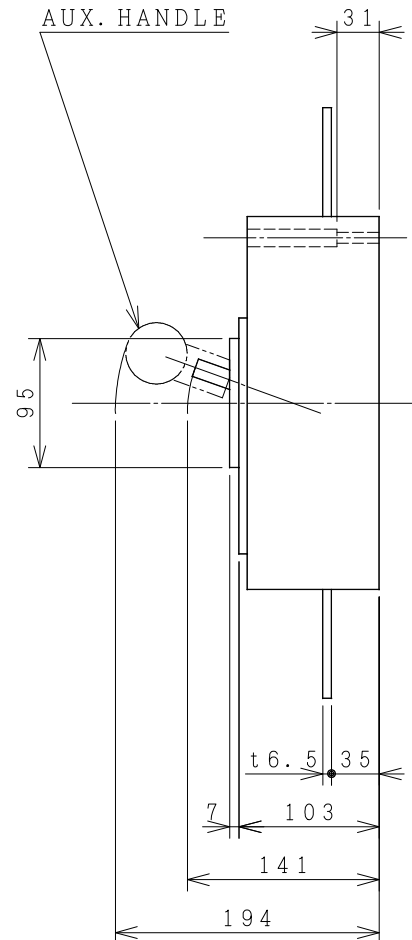
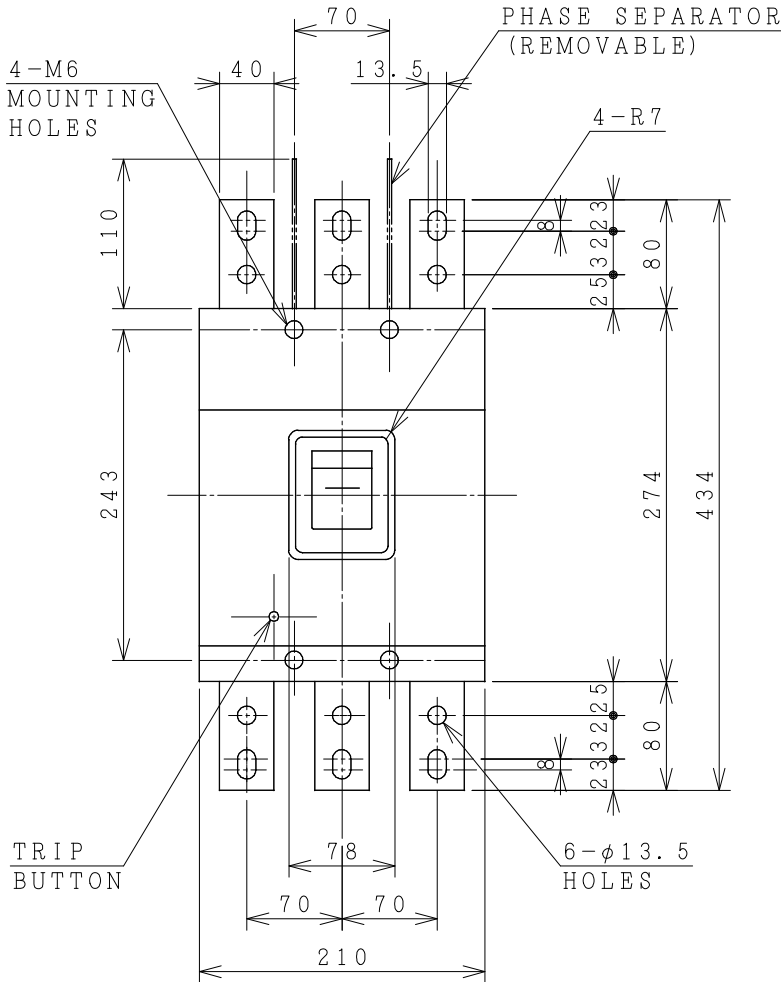


# HITACHI MOLDED CASE CIRCUIT BREAKER

Type	Poles	Rated Insulation Voltage (Ui)	IEC 60947-2 Icu/Ics [kA]		Rated Current	Base Ambient Temperature	Weight			
			230V	400V						
△ S-630S	2	690	50/25	36/18	500 600 630	40	△ 9			
	3									
△ F-630F	2		100/100	50/50						
	3									
F-630GB	3		100/100	75/75				A	℃	kg



DRILLING PLAN.

ACCESSORIES			
Part	Size	Qty	
		2P	3P
Phase separator	-	2	4
Terminal screw/bolt	M12x40	12	12
Mounting screw	M6x45	4	4
Assistant handle	-	1	1
Interior accessories		AL, AUX, SHT, UVT	

(Reference 43041066R02).

※REMARK

-DC CIRCUIT BREAKER OF L-600E DOSE NOT MANUFACTURE.

-DIMENSION UNIT = Millimeter (mm).

BWN.	S. CHAIAMPOL	20/02/18	PROJECTION	TITLE
CHKD.	J. Jantee		SCALE	DIMENSION OF S-630S, F-630F, F-630GB
APPD.	C. Krathisak		NTS.	
HITT WORKS DWG. No.				REV.
<b>HITACHI</b> Hitachi Industrial Technology (Thailand), Ltd.				01
				01
4HTN001168				SH.
				01