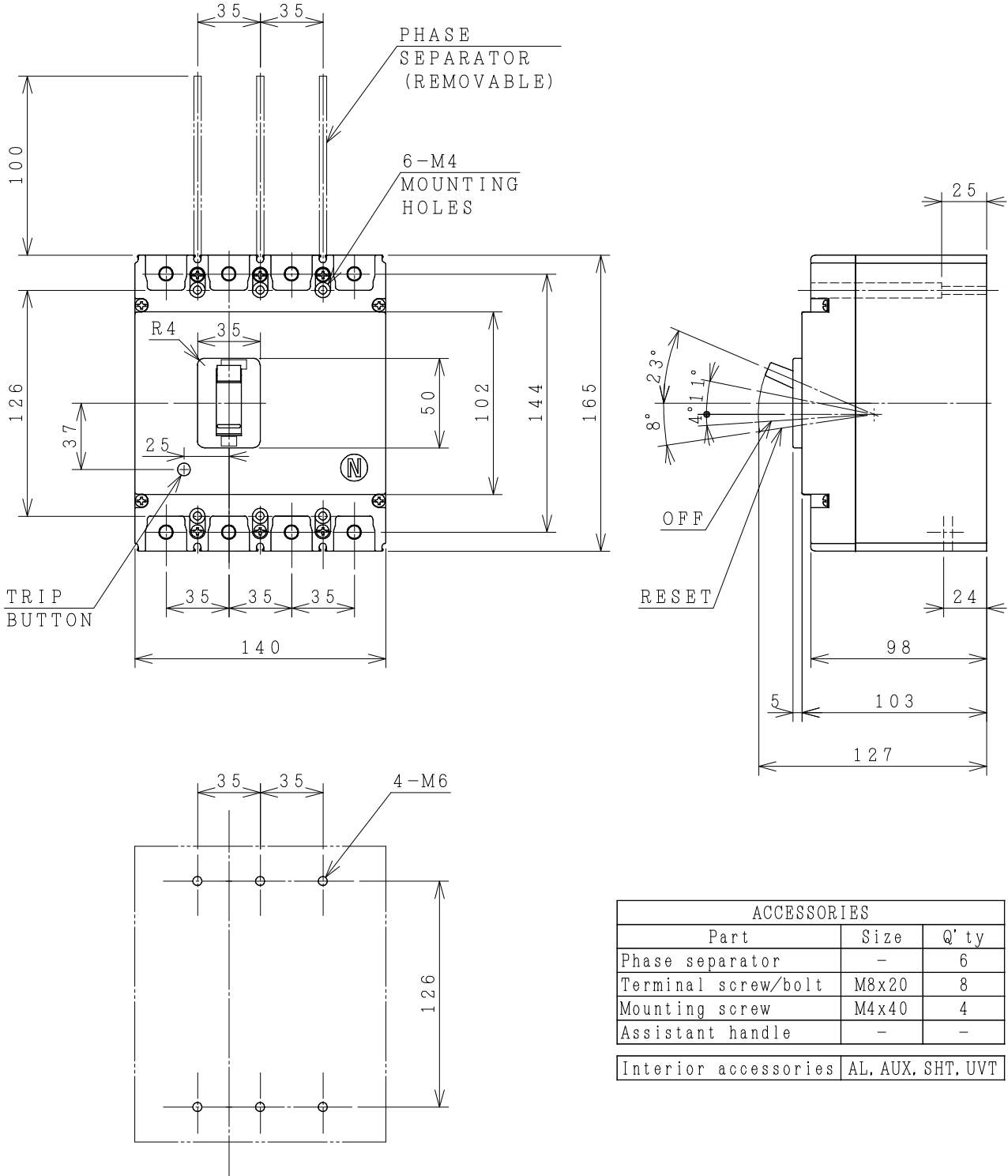


HITACHI MOLDED CASE CIRCUIT BREAKER

Type	Poles	Rated Insulation Voltage (Ui)	IEC 60947-2 Icu/Ics [kA]		Rated Current	Base Ambient Temperature	Weight
			230V	400V			
F-250GB	4	690 V	100/100	75/75	125 150 175 200 225 250 A	40 °C	3.1 kg



ACCESSORIES		
Part	Size	Q'ty
Phase separator	-	6
Terminal screw/bolt	M8x20	8
Mounting screw	M4x40	4
Assistant handle	-	-
Interior accessories	AL, AUX, SHT, UVT	

DRILLING PLAN.

DWN.	O. SITTICHAI	15/06/20	PROJECTION	TITLE
CHKD.	<i>Ch. Chantana</i>			DIMENSION OF F-250GB
APPD.	<i>M. Sankat</i>		SCALE NTS.	
HITACHI Hitachi Industrial Technology (Thailand), Ltd.				REV.
HITT WORKS DWG. No.				00
4HTN001265				SH.
				01
				01

※REMARK
-DIMENSION UNIT = Millimeter (mm).