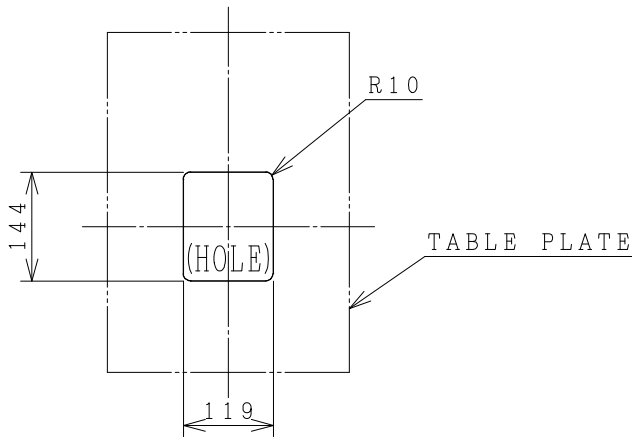
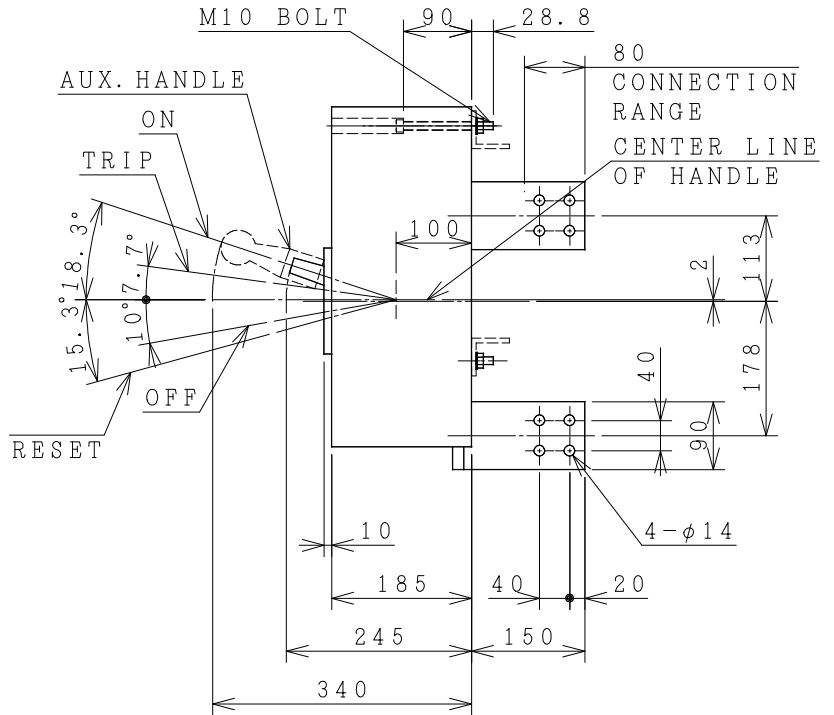
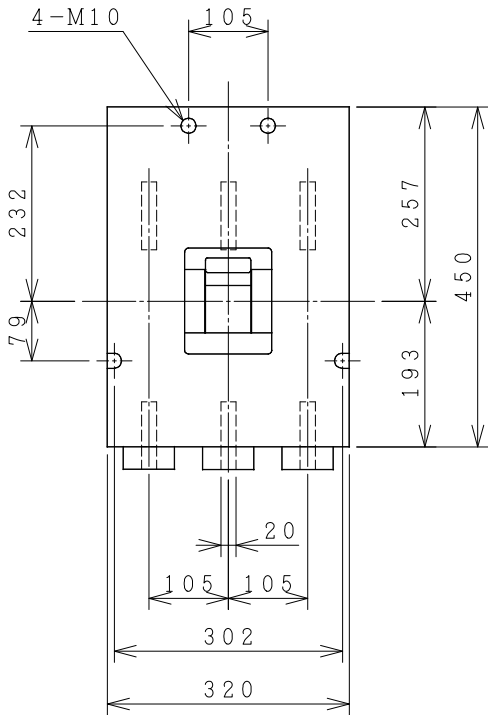


HITACHI MOLDED CASE CIRCUIT BREAKER

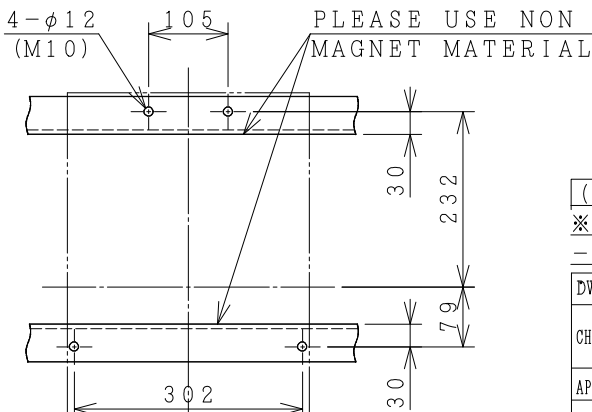
Type	Poles	Rated Insulation Voltage (Ui) V	IEC 60947-2 Icu/Ics [kA]		Rated Current Adjustable A	Base Ambient Temperature °C	Weight kg
			230V	400V			
F-2500E	3	690	125/94	100/75	1200/1400/1600 2000/2500	40	54



FRONT PLATE CUTOUT.
 -THESE DIMENSIONS THE HEIGHT OF FRONT PLATE FROM BASE OF CASE TO COVER IS 68mm.
 -CLEARANCE 1mm ON EACH SIDE OF HANDLE.

ACCESSORIES		
Part	Size	Q'ty
Phase separator	-	-
Terminal screw/bolt	M12	24
Mounting screw	M10x120	4
Assistant handle	-	1

Interior accessories AL, AUX, SHT, UVT, TB



DRILLING PLAN.

(Reference 33033568R02).

*REMARK

-DIMENSION UNIT = Millimeter (mm).

DWN. O. SITTICHAJ	24/06/20	PROJECTION	TITLE
CHKD. Ch. Chantida		SCALE	DIMENSION OF F-2500E
APPD. S. Sengai		NTS.	
HITACHI Hitachi Industrial Technology (Thailand), Ltd.			HITT WORKS DWG. No. 4HTN001266
			REV. 00 SH. 01 01