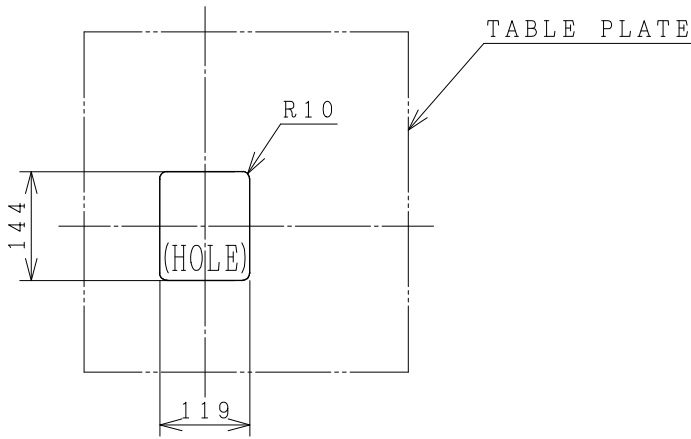
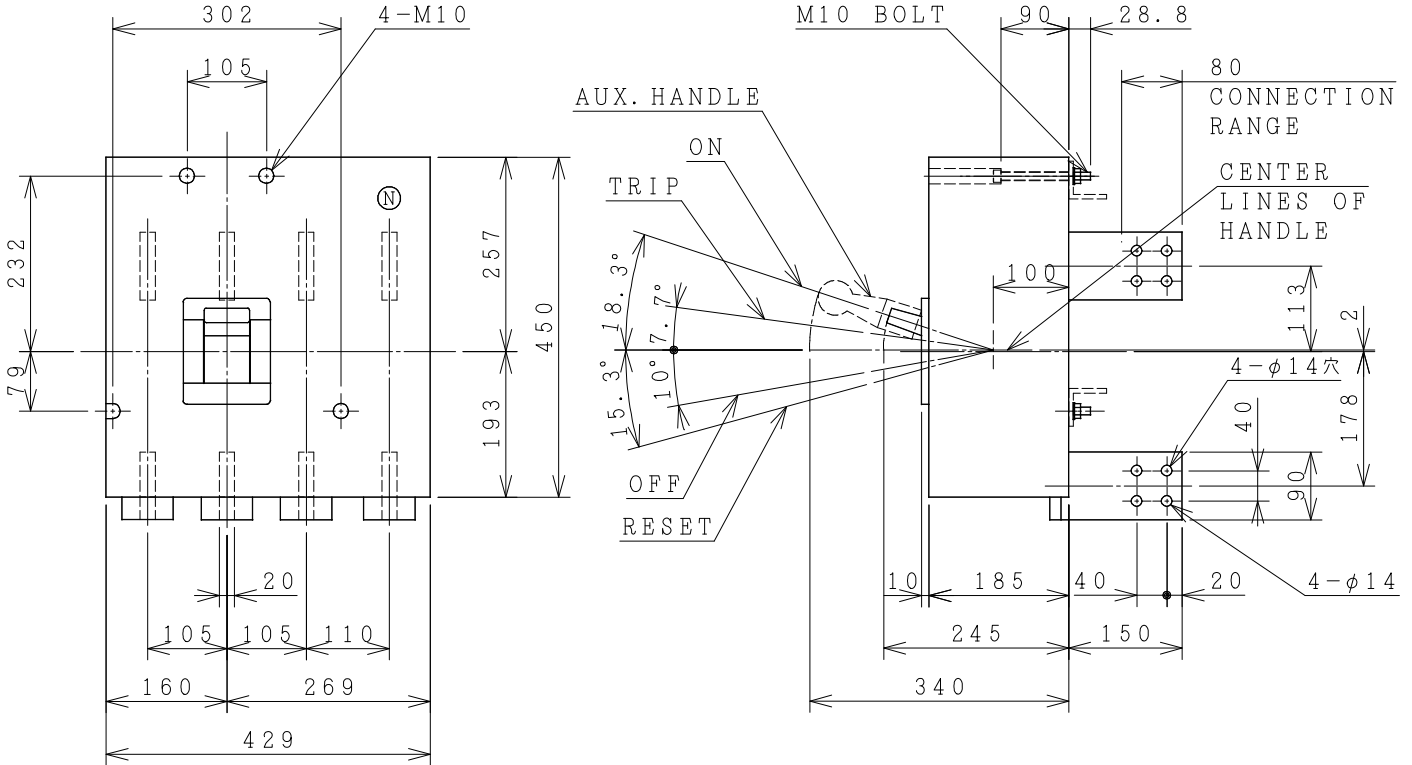
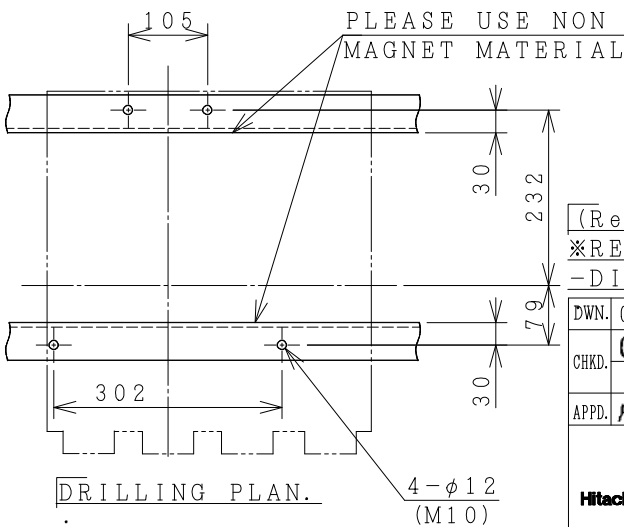


# HITACHI MOLDED CASE CIRCUIT BREAKER

Type	Poles	Rated Insulation Voltage (Ui) V	IEC 60947-2 Icu/Ics [kA]		Rated Current Adjustable A	Base Ambient Temperature °C	Weight kg
			230V	400V			
F-2500E	4	690	125/94	100/75	1200/1400/1600 2000/2500	40	67



FRONT PLATE CUTOUT.  
 -THESE DIMENSIONS THE HEIGHT OF FRONT PLATE FROM BASE OF CASE TO COVER IS 68mm.  
 -CLEARANCE 1mm ON EACH SIDE OF HANDLE.



ACCESSORIES		
Part	Size	Q'ty
Phase separator	-	-
Terminal screw/bolt	M12	32
Mounting screw	M10x120	4
Assistant handle	-	1

Interior accessories | AL, AUX, SHT, UVT, TB

(Reference 33033571R02).

\*REMARK

-DIMENSION UNIT = Millimeter (mm).

DWN. O. SITTICHAJ 15/06/20	PROJECTION	TITLE	HITT WORKS DWG. No.	REV.	
CHKD. Ch. Chantana M. Sankhal	SCALE	DIMENSION OF F-2500E			00
APPD. P. Sanyai	NTS.				01
 Hitachi Industrial Technology (Thailand), Ltd.			4HTN001267	01	