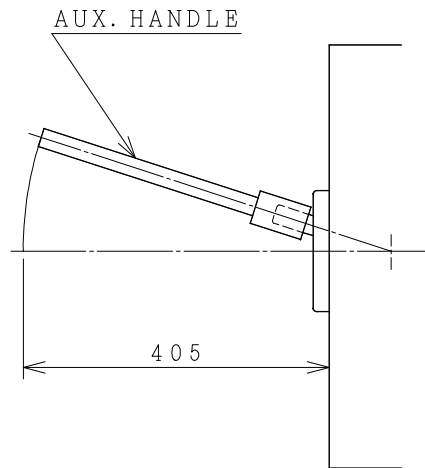
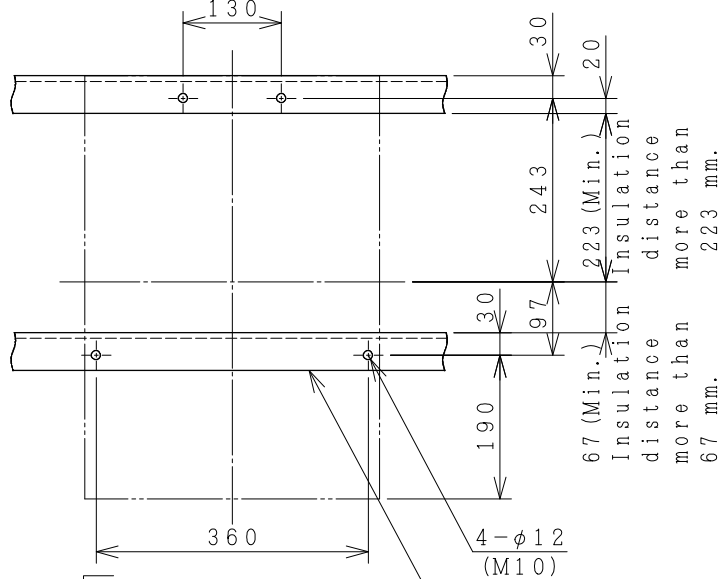
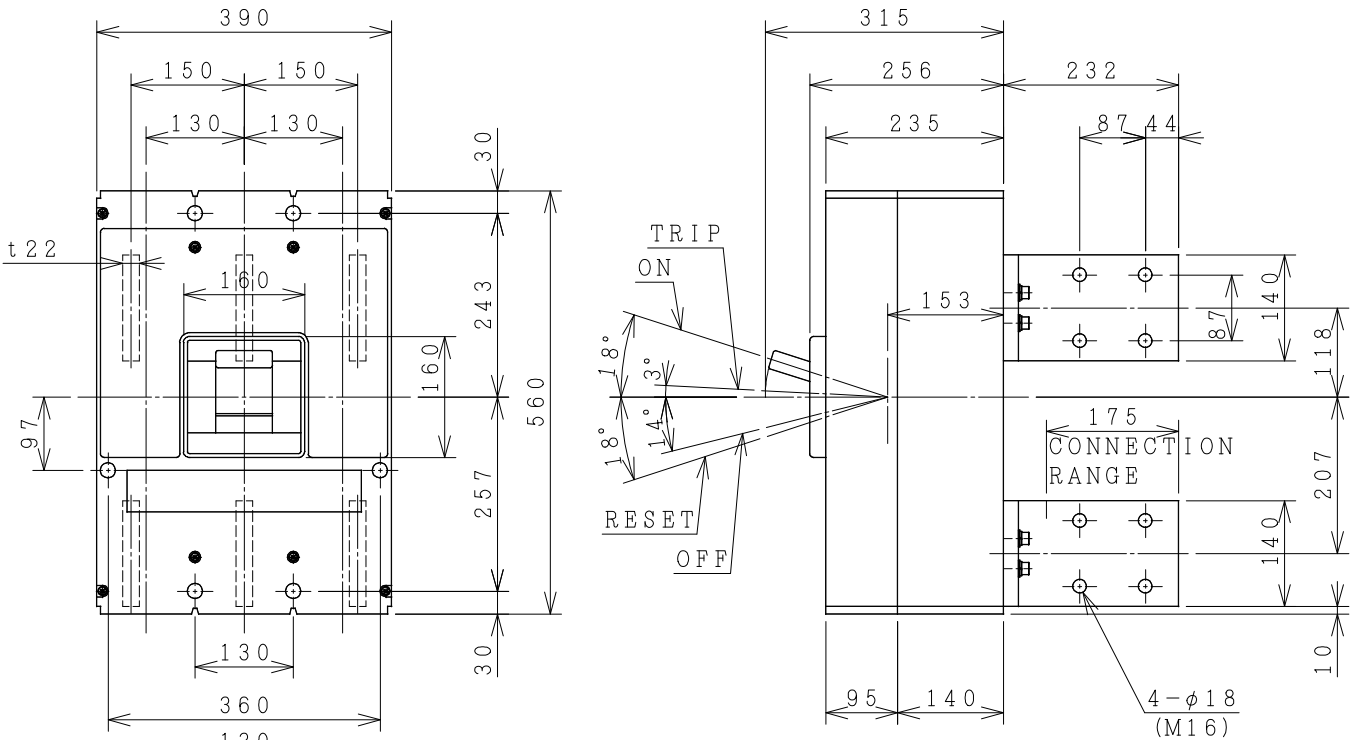


# HITACHI MOLDED CASE CIRCUIT BREAKER

Type	Poles	Rated Insulation Voltage (Ui) V	IEC 60947-2 Icu/Ics [kA]		Rated Current A	Base Ambient Temperature °C	Weight kg
			230V	400V			
F-4000E	3	690	130/98	100/75	4000	40	130



(Reference 33032895R02).  
 \*REMARK  
 -DIMENSION UNIT = Millimeter (mm).

DWN. O. SITTICHAJ	24/06/20	PROJECTION	TITLE
CHKD. Ch. Chantakul	S	SCALE	DIMENSION OF F-4000E
APPD. S. Saengjai		NTS.	
HITT WORKS DWG. No.			REV.
<b>HITACHI</b> Hitachi Industrial Technology (Thailand), Ltd.			00
			01
4HTN001268			01