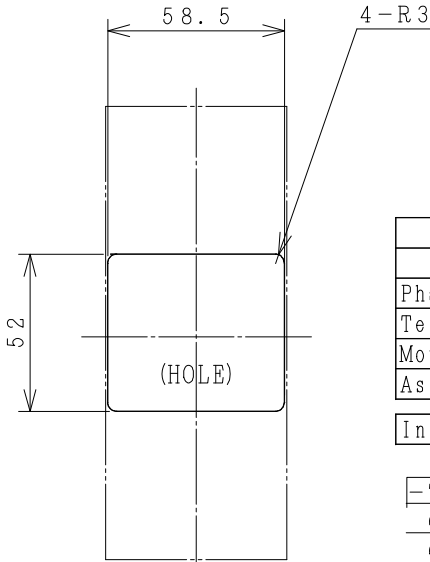
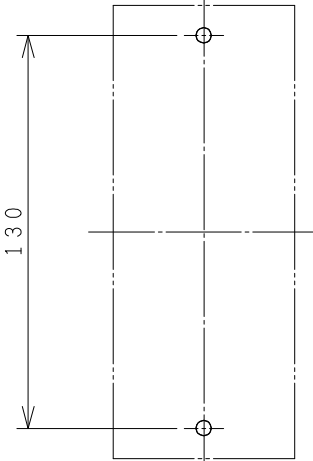
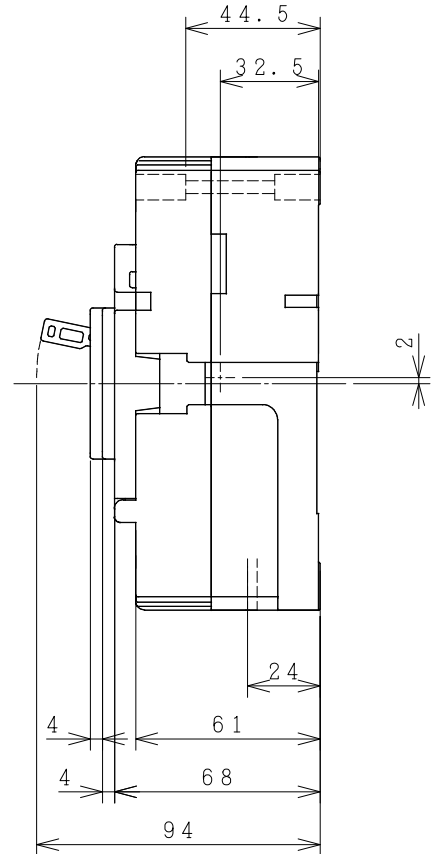
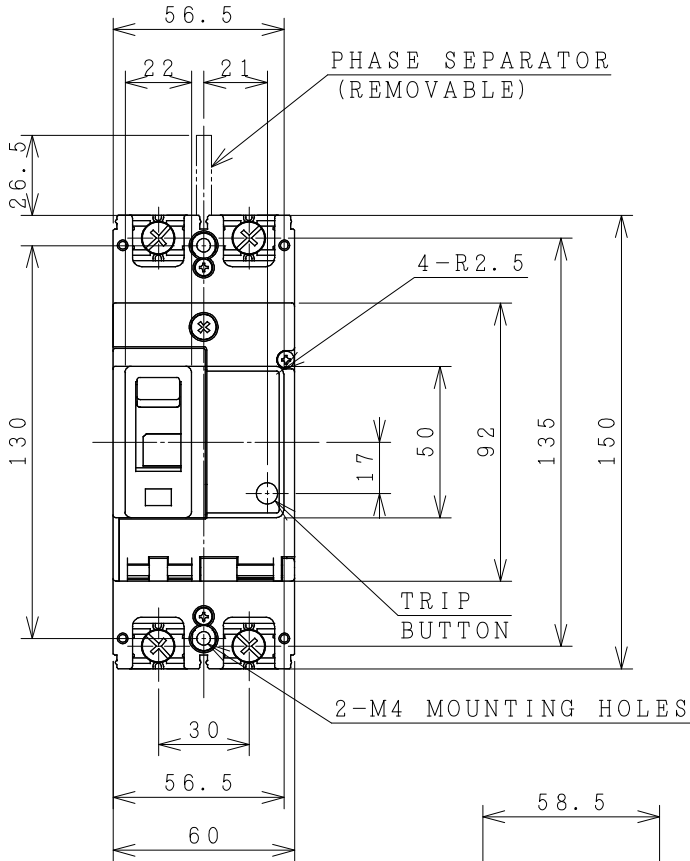


HITACHI MOLDED CASE CIRCUIT BREAKER

Type	Poles	Rated Insulation Voltage (Ui)	IEC 60947-2 Icu/Ics [kA]		Rated Current	Base Ambient Temperature	Weight
			230V	400V			
FXK125-M	2	690 V	70/70	36/36	15 20 32 40	40 °C	0.8 kg
					50 63 75 100		
					125 A		



ACCESSORIES			
Part	Size		Q'ty
	15~50 A	63~125 A	
Phase separator	-	-	2
Terminal screw/bolt	M6x14	M8x14	4
Mounting screw	M4x55	M4x55	2
Assistant handle	-	-	-

Interior accessories AL, AUX, SHT

-THESE DIMENSIONS THE HEIGHT OF FRONT PLATE FROM BASE OF CASE TO COVER IS 68mm.
-CLEARANCE 1mm ON EACH SIDE OF HANDLE.

DRILLING PLAN.

FRONT PLATE CUTOUT.

(Reference 43067299R02).
*REMARK
-DIMENSION UNIT = Millimeter (mm).

DWN. O. SITTICHAJ 09/07/20	PROJECTION	TITLE	DIMENSION OF FXH125-M
CHKD. Ch. Chantana M. Sankhal	SCALE		
APPD. S. Saengjai	NTS.		
HITACHI Hitachi Industrial Technology (Thailand), Ltd.			HITT WORKS DWG. No. 4HTN001271
			REV. 00 SH. 01 01