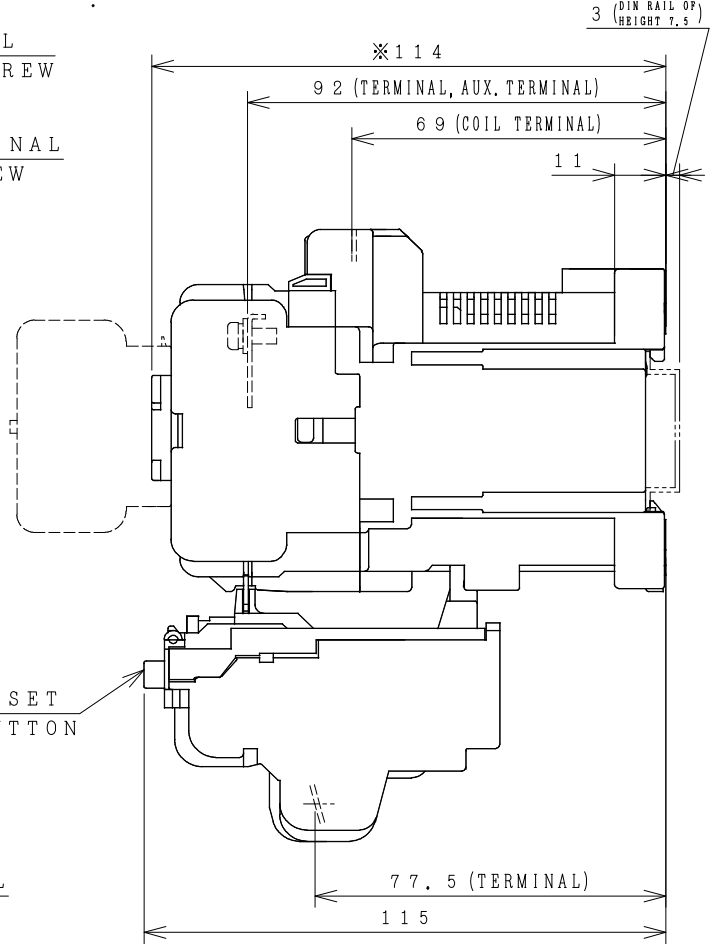
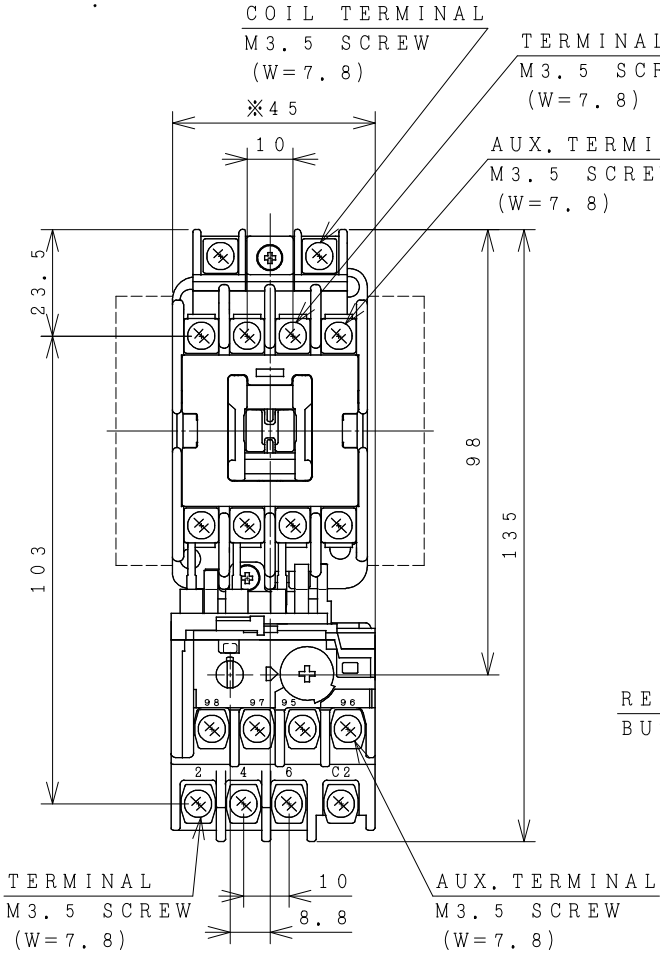


HITACHI ELECTROMAGNETIC SWITCH

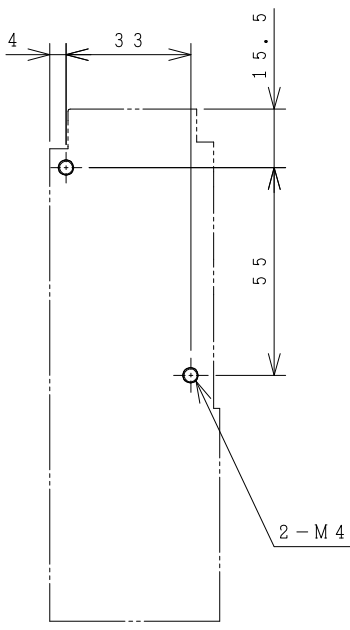
Type	Rated insulation voltage (Ui)	Max. rated capacity of motor			Rated thermal current (AC1 = Ith)	Applicable standard	Aux. Contact	Weight
HS10-TG	AC 690 V	240V	3.5kW	13A	20A A	IEC 60947-4-1	1a or 1b	0.70 kg
HS10-TKG		440V	5.5kW	12A				

※WITH AUX. CONTACT SIDE ON UNIT = 68mm.

※WITH AUX. CONTACT HEAD ON UNIT = 145mm.



OUTLINE DIMENSIONS.

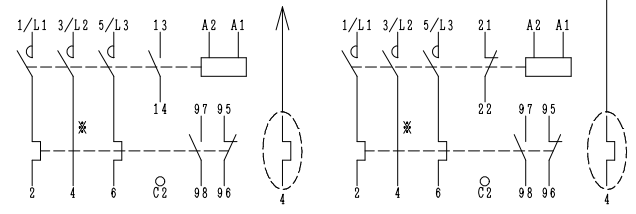


30 x 48
34 x 48
34 x 52
35 x 50

MOUNTING HOLES.

ALSO POSSIBLE.
(W=) : WIDTH OF TERMINAL.

※IN CASE OF 2E THERMAL OVERLOAD RELAY.



AUX. CONTACTS : 1 a
CONTACTS ARRANGEMENT.
(Reference 43068987R00).

※REMARK
- DIMENSION UNIT = Millimeter (mm).
- (a) = AUX. CONTACT NORMALLY OPENED.
- (b) = AUX. CONTACT NORMALLY CLOSED.

DWN. O. SITTICHAJ 27/06/16	PROJECTION	TITLE	HITT WORKS DWG. No.	REV.
CHKD. <i>C. Kiatissak</i>	SCALE	DIMENSION OF HS10-TG, TKG		00
APPD. <i>T. Kiatissak</i>	NTS.			01
<p>HITACHI Hitachi Industrial Technology (Thailand), Ltd.</p>			4HTN000789	01