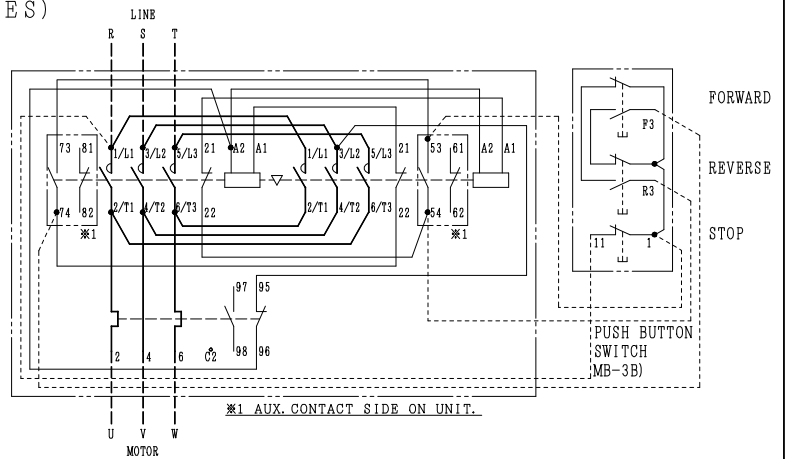
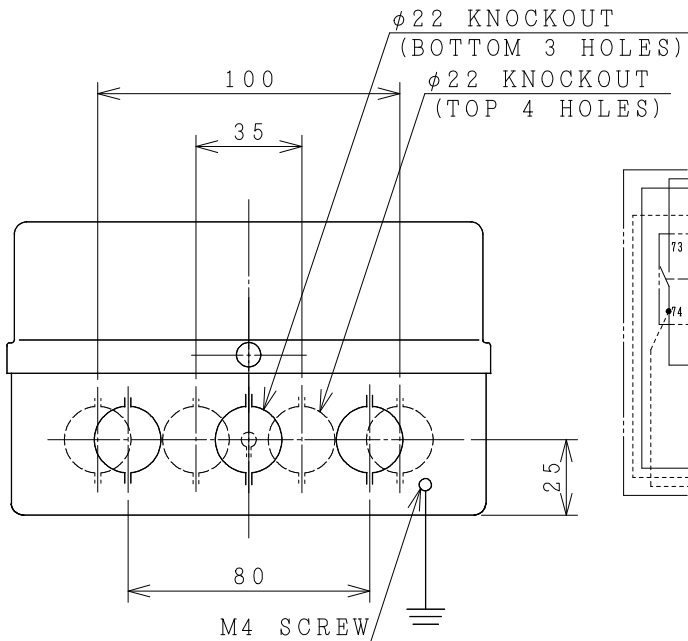
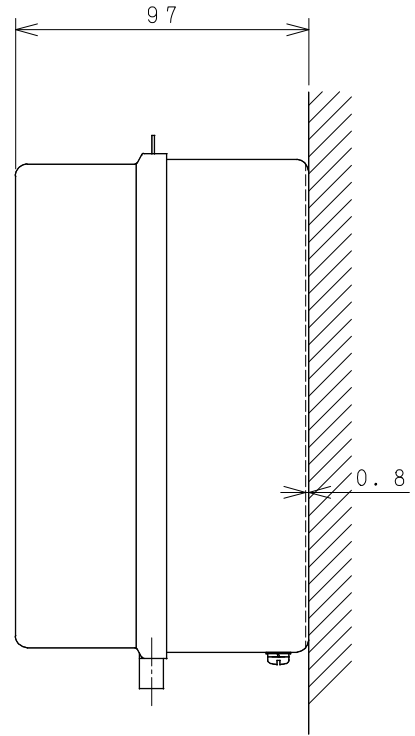
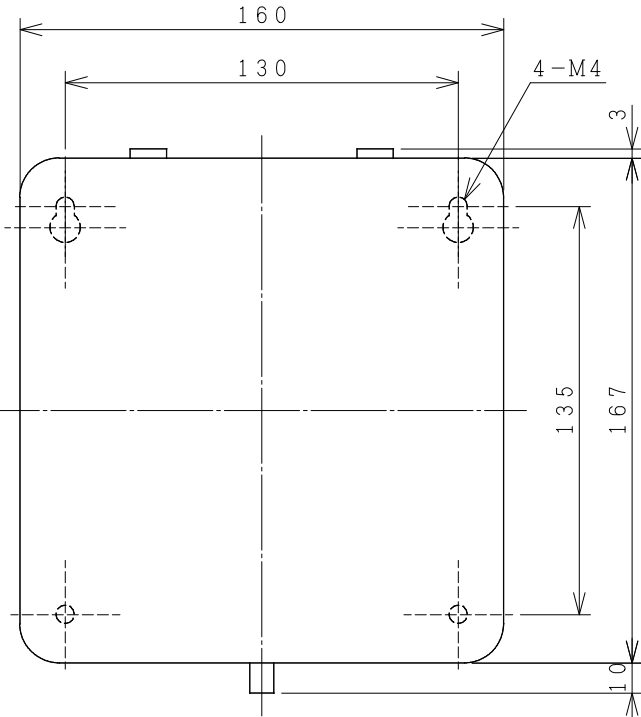


HITACHI ELECTROMAGNETIC SWITCH

Type	Rated insulation voltage (Ui)	Max. rated capacity of motor			Rated thermal current (AC1 = Ith)	Applicable standard	Aux. Contact	Weight
		240V	3.5kW	13A				
SHS10-RT	AC 690 V	440V	5.5kW	12A	15A A	IEC 60947-4-1	1a2b x2	2.0 kg



CONTACTS ARRANGEMENT.

(Reference 43067532R01).

※REMARK

- DIMENSION UNIT = Millimeter (mm).

- (a) = AUX. CONTACT NORMALLY OPENED.

- (b) = AUX. CONTACT NORMALLY CLOSED.

		TERMINAL SCREW	WIDTH OF TERMINAL
MAIN CIRCUIT	CONTACTOR	M3.5	7.8
	OVERLOAD RELAY	M3.5	7.8
OPERATION CIRCUIT	CONTACTOR	M3.5	7.8
	OVERLOAD RELAY	M3.5	7.8

DWN. O. SITTICHAJ	01/07/16	PROJECTION	TITLE
CHKD. J. JANDER			DIMENSION OF SHS10-RT
C. KIATTISAK		SCALE	
APPD. T. SBKIGUCHI		NTS.	
HITT WORKS DWG. No.			REV.
4HTN000794			01
			SH.
			01
			01