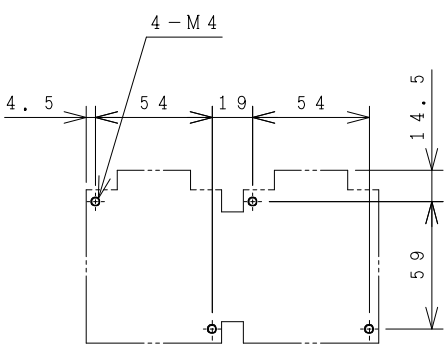
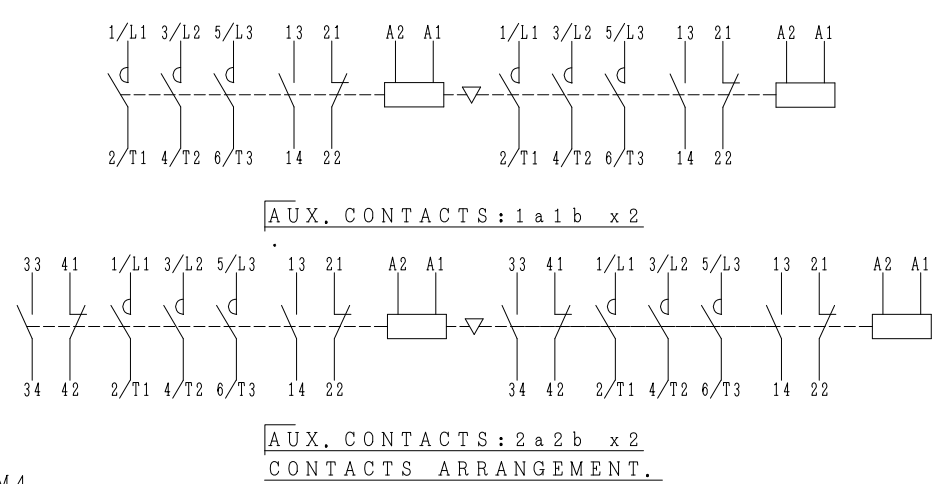
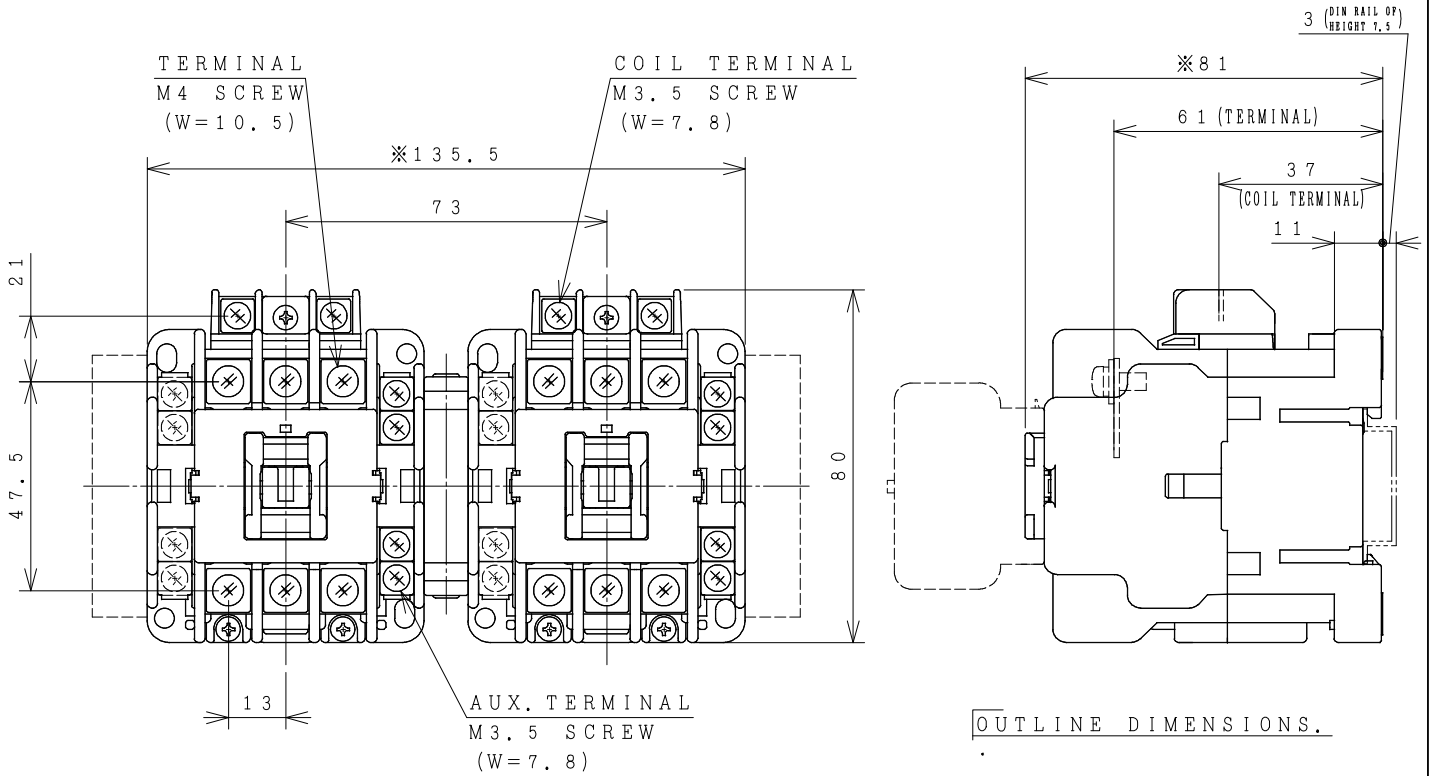


HITACHI ELECTROMAGNETIC CONTACTOR

Type	Rated insulation voltage (Ui)	Max. rated capacity of motor			Rated thermal current (AC1 = Ith)	Applicable standard	Aux. Contact	Weight
		240V	5.5kW	22A				
HS20-R	AC 690 V	240V	5.5kW	22A	32 A	IEC 60947-4-1	1a1b x2 or 2a2b x2	0.84 kg
		440V	11kW	22A				

※WITH AUX. CONTACT SIDE ON UNIT = 160.5mm.

※WITH AUX. CONTACT HEAD ON UNIT = 112mm.



MOUNTING HOLES.

(W=) : WIDTH OF TERMINAL.

(Reference 43067252R05).

※REMARK

- DIMENSION UNIT = Millimeter (mm).
- (a) = AUX. CONTACT NORMALLY OPENED.
- (b) = AUX. CONTACT NORMALLY CLOSED.

DWN. O. SITTICHAJ 04/07/16	PROJECTION	TITLE
CHKD. <i>C. Kiatissak</i>	SCALE	DIMENSION OF HS20-R
APPD. <i>T. Kiatissak</i>	NTS.	
HITT WORKS DWG. No.		REV.
HITACHI Hitachi Industrial Technology (Thailand), Ltd.		00
		SH.
		01
		01

4HTN000798