

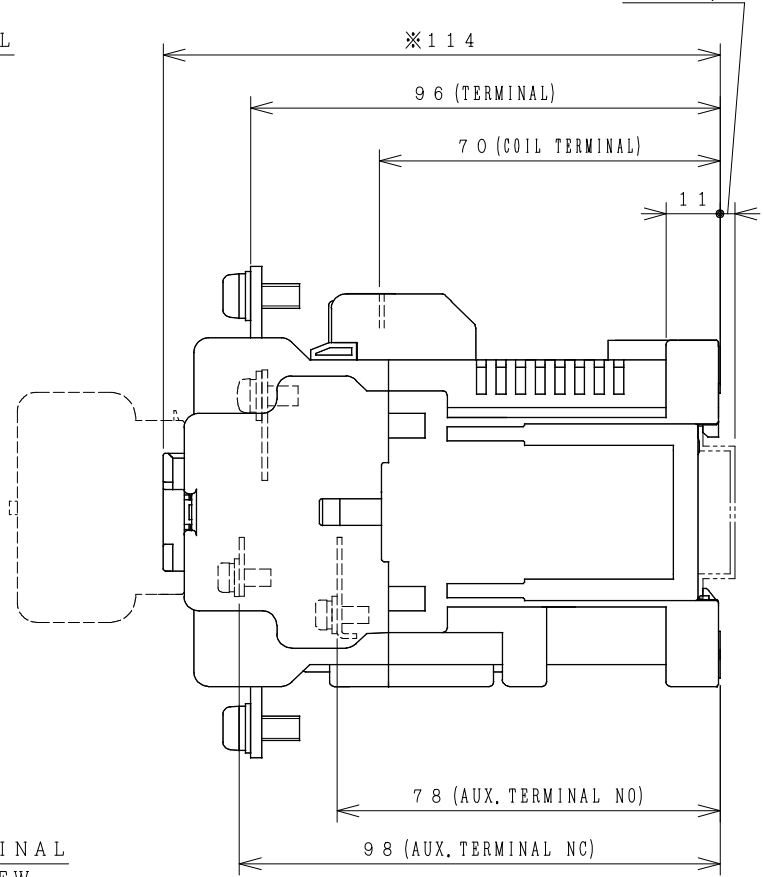
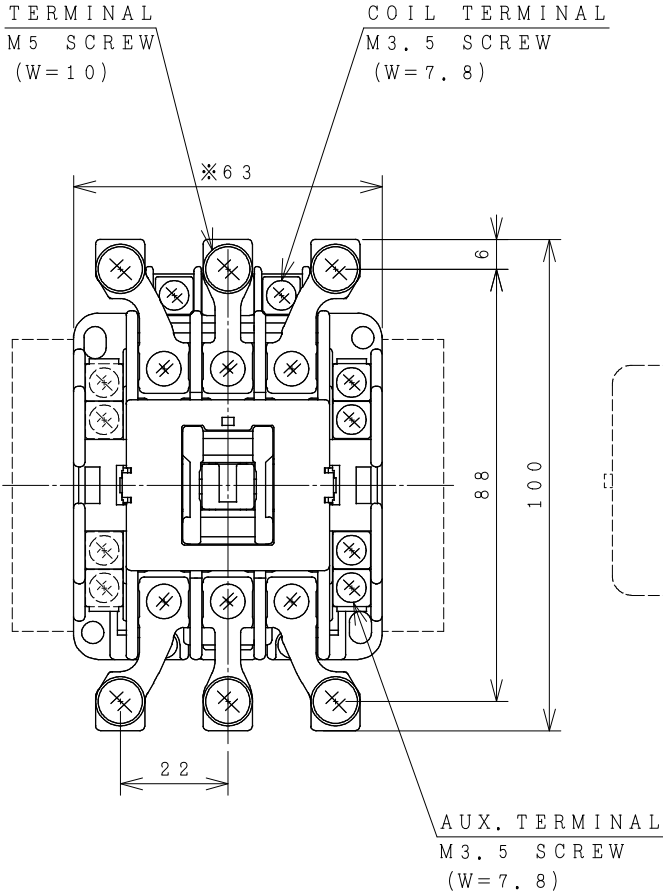
HITACHI ELECTROMAGNETIC CONTACTOR

Type	Rated insulation voltage (Ui)	Max. rated capacity of motor			Rated thermal current (AC1 = Ith)	Applicable standard	Aux. Contact	Weight
		240V	7.5kW	27A				
HS25-G	AC 690 V	440V	11kW	26A	35 A	IEC 60947-4-1	1a1b or 2a2b	0.71 kg

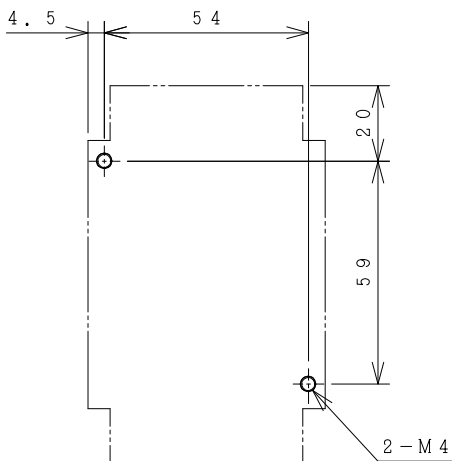
※WITH AUX. CONTACT SIDE ON UNIT = 88mm.

※WITH AUX. CONTACT HAED ON UNIT = 145mm.

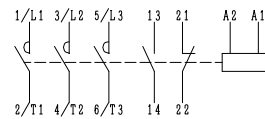
3 (DIN RAIL OP HEIGHT 7.5)



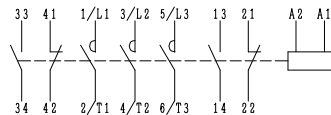
OUTLINE DIMENSIONS.



MOUNTING HOLES.



AUX. CONTACTS : 1 a 1 b



AUX. CONTACTS : 2 a 2 b
CONTACTS ARRANGEMENT.

(Reference 43068169R01).

DWN.	O. SITTICHAJ	01/08/16	PROJECTION	TITLE
CHKD.	<i>C. Kiattisak</i>		SCALE	DIMENSION OF HS25-G
APPD.	<i>T. Kijisudh</i>		NTS.	
<p style="text-align: center;">HITACHI Hitachi Industrial Technology (Thailand), Ltd.</p>				HITT WORKS DWG. No.
				4HTN000812
				REV.
				00
				SH.
				01
				01

54 x 56
54 x 60

ALSO POSSIBLE.
(W) : WIDTH OF TERMINAL.

※REMARK
- DIMENSION UNIT = Millimeter (mm).
- (a) = AUX. CONTACT NORMALLY OPENED.
- (b) = AUX. CONTACT NORMALLY CLOSED.