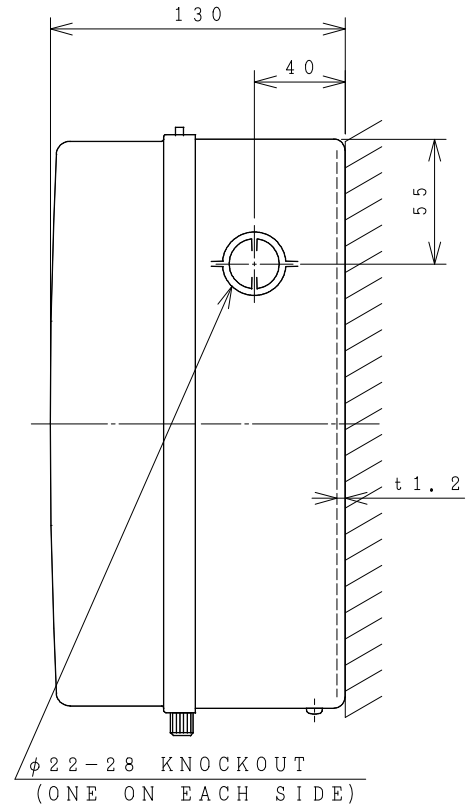
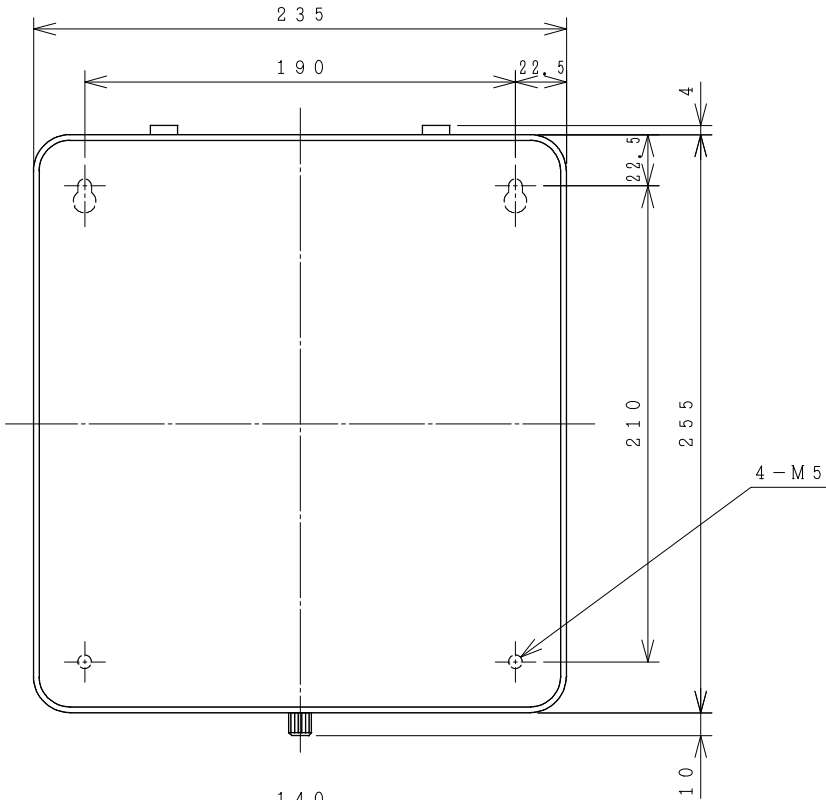
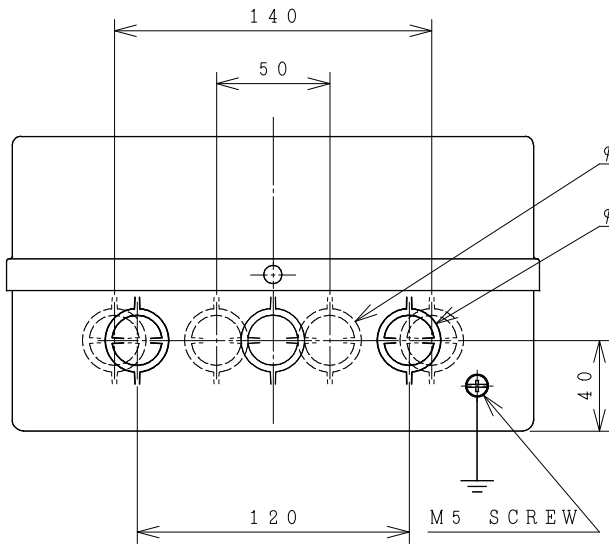


HITACHI ELECTROMAGNETIC SWITCH

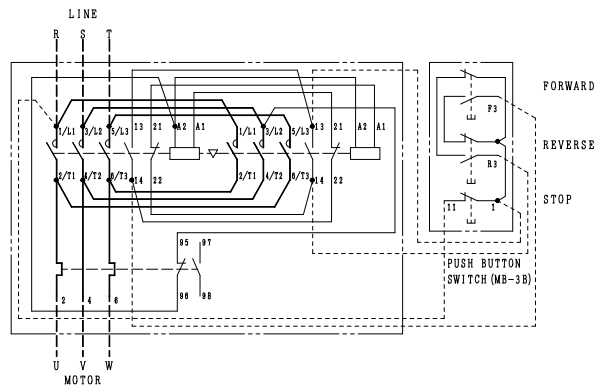
Type	Rated insulation voltage (Ui)	Max. rated capacity of motor			Rated thermal current (AC1 = Ith)	Applicable standard	Aux. Contact	Weight
		240V	7.5kW	27A				
SHS25-RT	AC 690	440V	11kW	26A	35 A	IEC 60947-4-1	1a1b x2	4.5 kg
	V						2a2b x2	



OUTLINE DIMENSIONS.



φ 22-28 KNOCKOUT (FOUR ON THE TOP)
φ 22-28 KNOCKOUT (UNDER THREE)



CONTACTS ARRANGEMENT.

		TERMINAL SCREW	WIDTH OF TERMINAL
MAIN CIRCUIT	CONTACTOR	M5	10
	OVERLOAD RELAY	M5	10
OPERATION CIRCUIT	CONTACTOR	M3.5	7.8
	OVERLOAD RELAY	M3.5	7.8

REMARK

- DIMENSION UNIT = Millimeter (mm).
- (a) = AUX. CONTACT NORMALLY OPENED.
- (b) = AUX. CONTACT NORMALLY CLOSED.

(Reference 43067534R01).

DWN. O. SITTICHAJ 04/08/16	PROJECTION	TITLE	DIMENSION OF SHS25-RT
CHKD. <i>C. Kiatissak</i>	SCALE NTS.	HITT WORKS DWG. No.	
APPD. <i>T. Kiatissak</i>		4HTN000818	
HITACHI Hitachi Industrial Technology (Thailand), Ltd.			REV. 00 SH. 01 01