

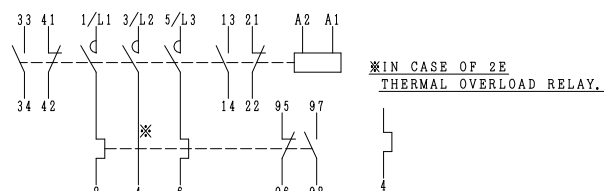
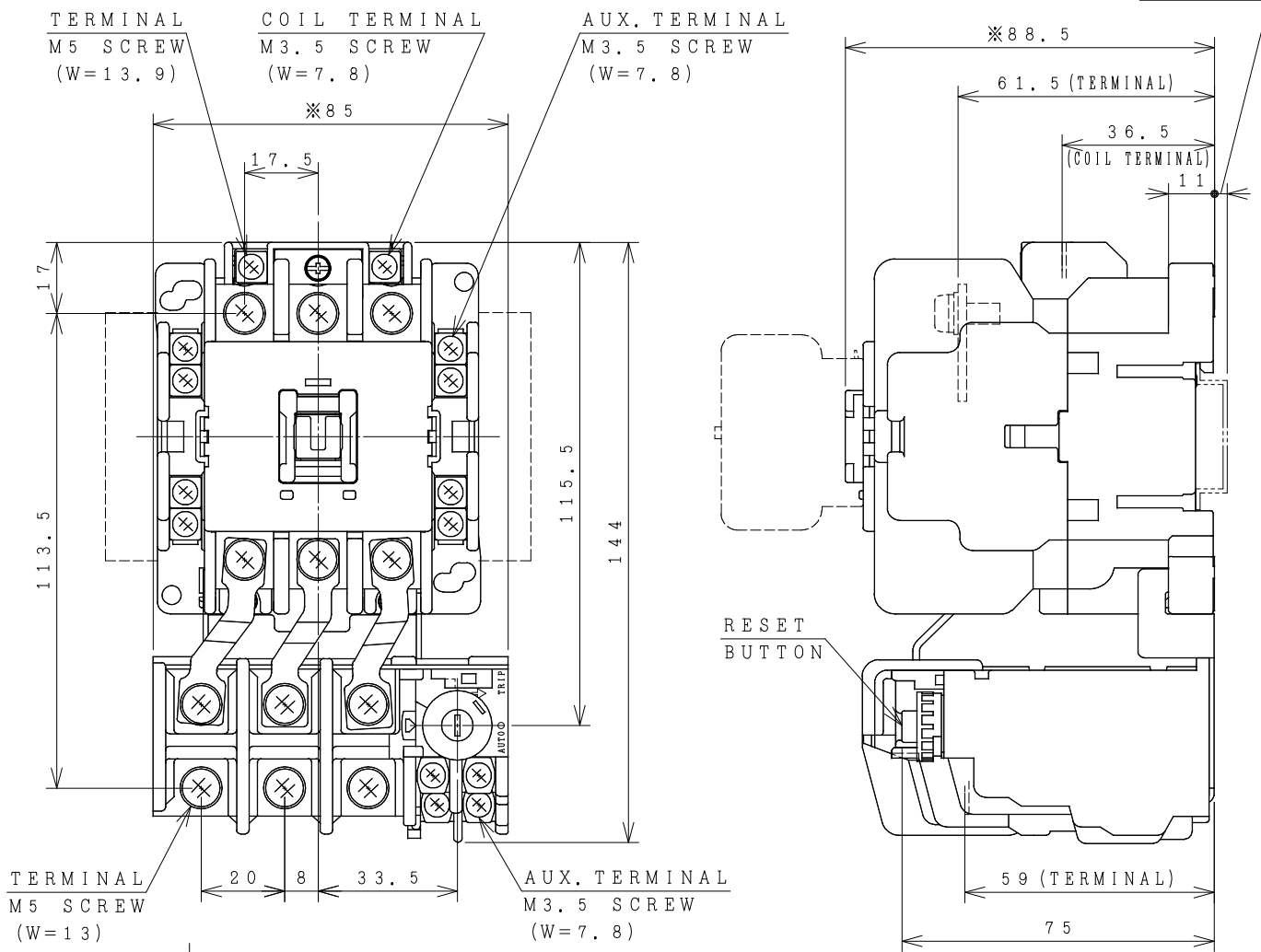
# HITACHI ELECTROMAGNETIC SWITCH

Type	Rated insulation voltage (Ui)	Max. rated capacity of motor			Rated thermal current (AC1 = Ith)	Applicable standard	Aux. Contact	Weight
HS35-T	AC 690 V	240V	11kW	40A	50 A	IEC 60947-4-1	2a2b	0.84 kg
HS35-TK		440V	18.5kW	40A				

※WITH AUX. CONTACT SIDE ON UNIT = 102mm.

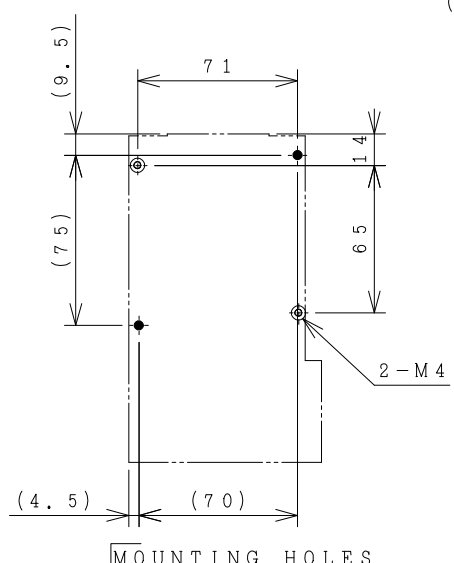
※WITH AUX. CONTACT HAED ON UNIT = 120mm.

3 (DIN RAIL OF HEIGHT 7.5)



AUX. CONTACTS. : 2a2b  
CONTACTS ARRANGEMENT.  
(Reference 43067249R05).

※REMARK  
- DIMENSION UNIT = Millimeter (mm).  
- (a) = AUX. CONTACT NORMALLY OPENED.  
- (b) = AUX. CONTACT NORMALLY CLOSED.



(60~) 65 x 70  
(64~) 68 x 67  
ALSO POSSIBLE.  
(W=) : WIDTH OF TERMINAL.

DWN. O. SITTICHAJ 09/08/16 CHKD. <i>C. Kiatissak</i> APPD. <i>T. Kiatissak</i>	PROJECTION  SCALE NTS.	TITLE DIMENSION OF HS35-T, TK	HITT WORKS DWG. No. 4HTN000821	REV. 00 SH. 01 01
--	---------------------------------	-------------------------------------	-----------------------------------	-------------------------------

**HITACHI**  
Hitachi Industrial Technology (Thailand), Ltd.