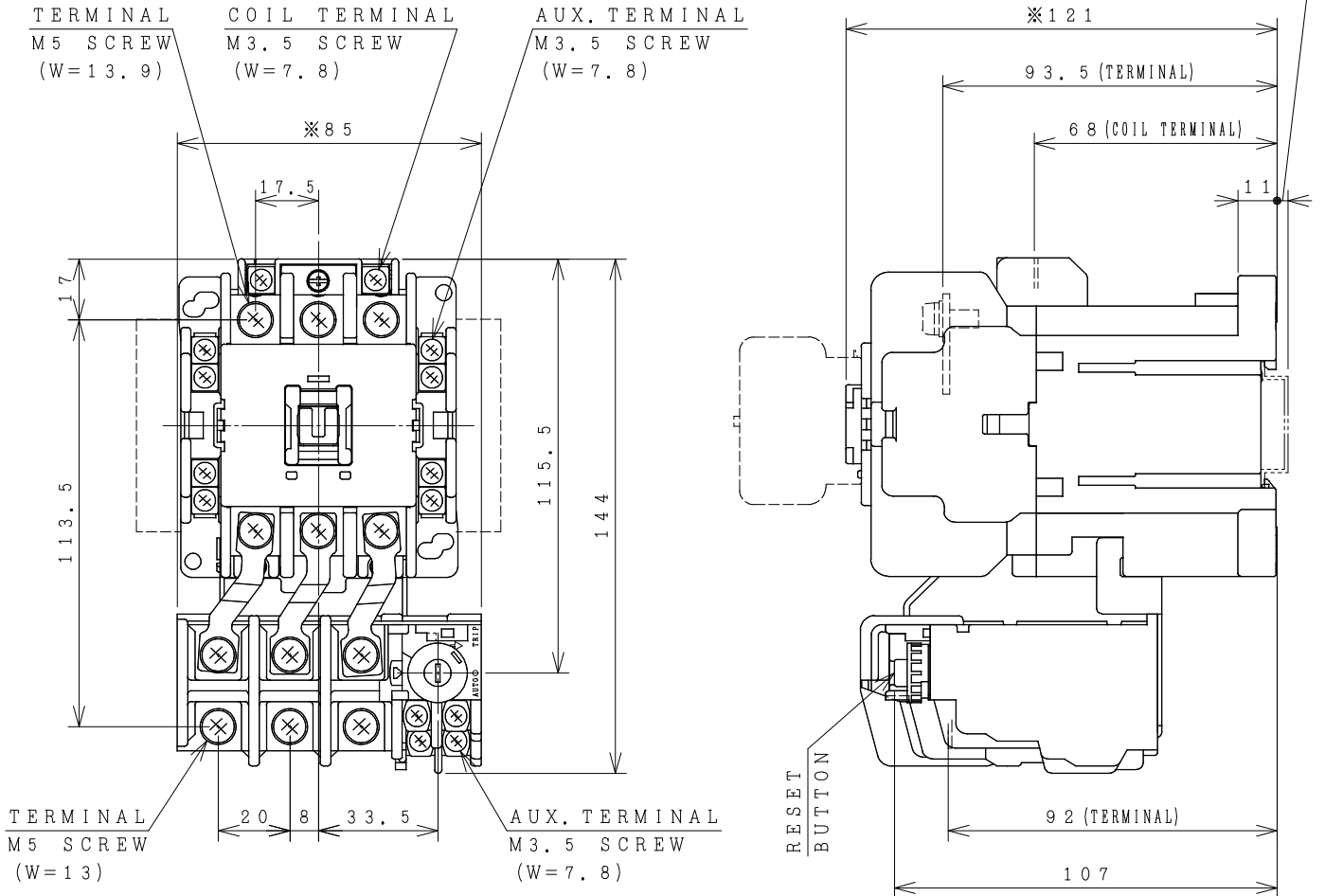


# HITACHI ELECTROMAGNETIC SWITCH

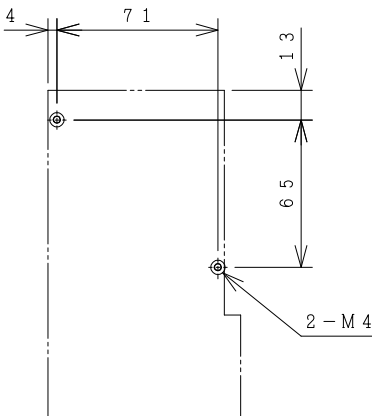
Type	Rated insulation voltage (Ui)	Max. rated capacity of motor			Rated thermal current (AC1 = 1th)	Applicable standard	Aux. Contact	Weight
		240V	11kW	40A				
HS35-TG	AC 690 V	240V	11kW	40A	50 A	IEC 60947-4-1	2a2b	1.2 kg
HS35-TKG		440V	18.5kW	40A				

※WITH AUX. CONTACT SIDE ON UNIT = 102mm.

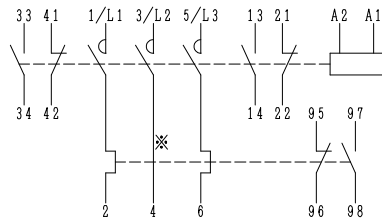
※WITH AUX. CONTACT HEAD ON UNIT = 152mm.



OUTLINE DIMENSIONS.



MOUNTING HOLES.



※ IN CASE OF 2E THERMAL OVERLOAD RELAY.

AUX. CONTACTS : 2 a 2 b  
CONTACTS ARRANGEMENT.

(Reference 43068990R00).

(60~) 65 x 70  
(64~) 68 x 67  
ALSO POSSIBLE.  
(W) : WIDTH OF TERMINAL.  
※REMARK  
- DIMENSION UNIT = Millimeter (mm).  
- (a) = AUX. CONTACT NORMALLY OPENED.  
- (b) = AUX. CONTACT NORMALLY CLOSED.

DWN. O. SITTICHAJ 18/08/16	PROJECTION	TITLE	DIMENSION OF HS35-TG, TKG
CHKD. <i>C. Kiatissak</i>	SCALE NTS.	HITT WORKS DWG. No.	
APPD. <i>T. Kiatissak</i>		4 HTN000825	
<p><b>HITACHI</b> Hitachi Industrial Technology (Thailand), Ltd.</p>			<p>REV.</p> <p>00</p> <p>SH.</p> <p>01</p> <p>01</p>