

HITACHI ELECTROMAGNETIC SWITCH

Type	Rated insulation voltage (Ui)	Max. rated capacity of motor			Rated thermal current (AC1 = Ith)	Applicable standard	Aux. Contact	Weight
		240V	15kW	50A				
HS50-T	AC 690 V	240V	15kW	50A	70 A	IEC 60947-4-1	2a2b	0.84 kg
HS50-TK		440V	22kW	50A				

※WITH AUX. CONTACT SIDE ON UNIT = 102mm.

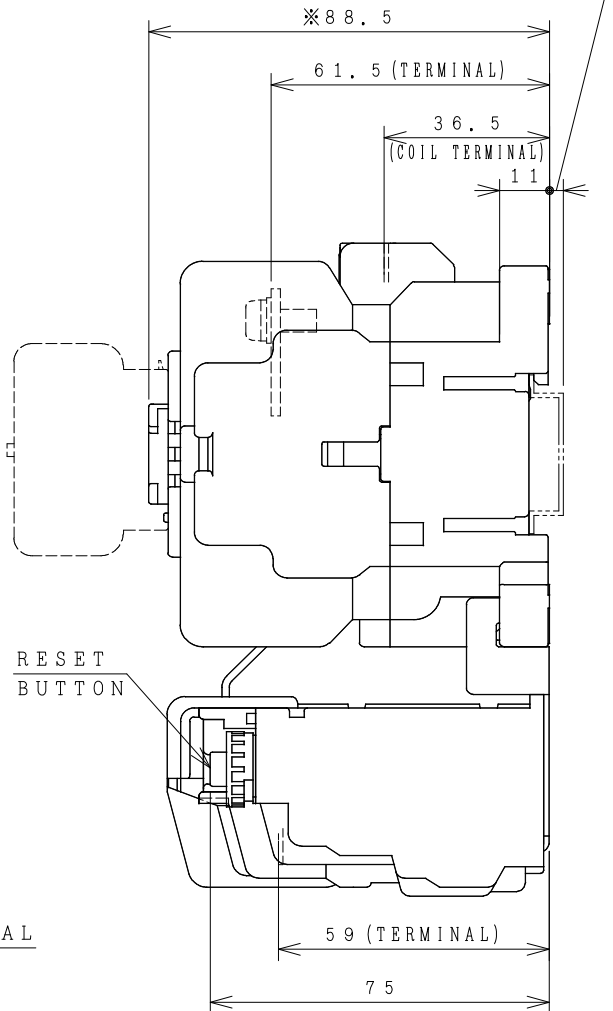
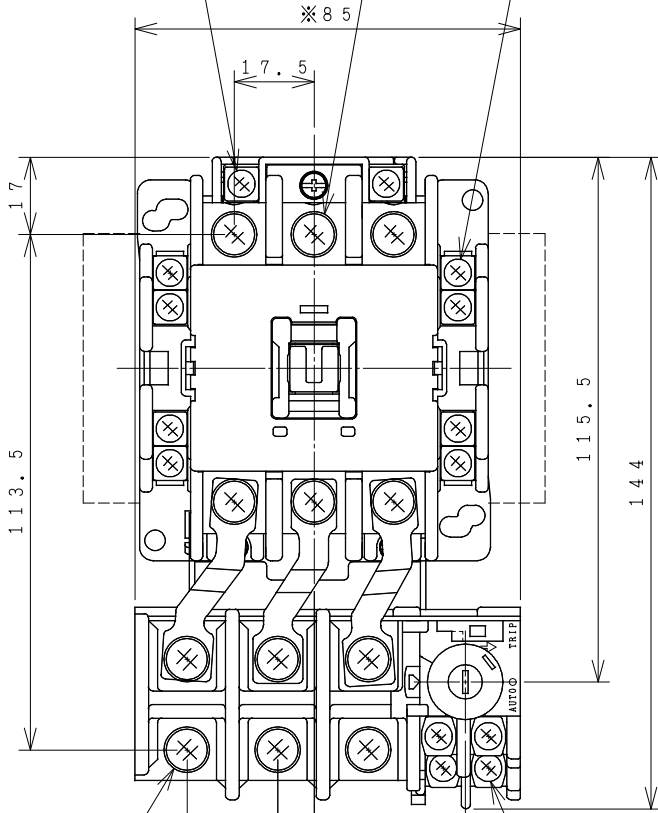
※WITH AUX. CONTACT HAED ON UNIT = 120mm.

COIL TERMINAL
M3.5 SCREW
(W=7.8)

TERMINAL
M5 SCREW
(W=13.9)

AUX. TERMINAL
M3.5 SCREW
(W=7.8)

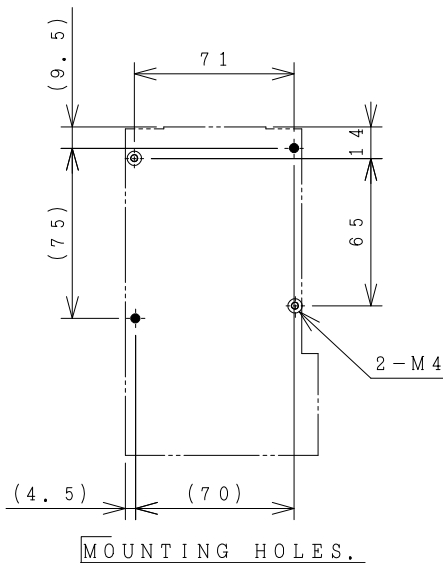
3 (DIN RAIL OF HEIGHT 7.5')



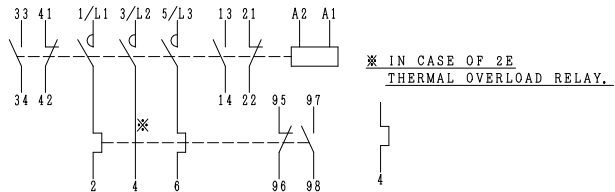
TERMINAL
M5 SCREW
(W=13)

AUX. TERMINAL
M3.5 SCREW
(W=7.8)

OUTLINE DIMENSIONS.



MOUNTING HOLES.



AUX. CONTACTS. : 2a2b
CONTACTS ARRANGEMENT.
(Reference 43067250R05).

- ※REMARK
- DIMENSION UNIT = Millimeter (mm).
- (a) = AUX. CONTACT NORMALLY OPENED.
- (b) = AUX. CONTACT NORMALLY CLOSED.

DWN. O. SITTICHAJ	20/08/16	PROJECTION	TITLE
CHKD. <i>C. Kiatissak</i>		SCALE	DIMENSION OF HS50-T, TK
APPD. <i>T. Kiatissak</i>		NTS.	
HITACHI Hitachi Industrial Technology (Thailand), Ltd.			HITT WORKS DWG. No.
			4HTN000833
			REV.
			00
			SH.
			01
			01

(60~) 65 x 70
(64~) 68 x 67

ALSO POSSIBLE.
(W=) : WIDTH OF TERMINAL.