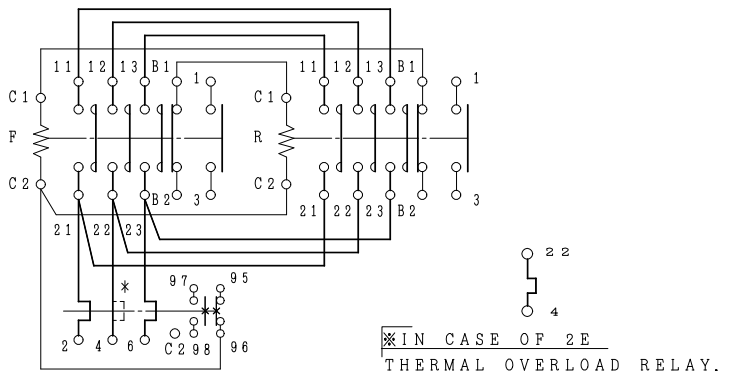
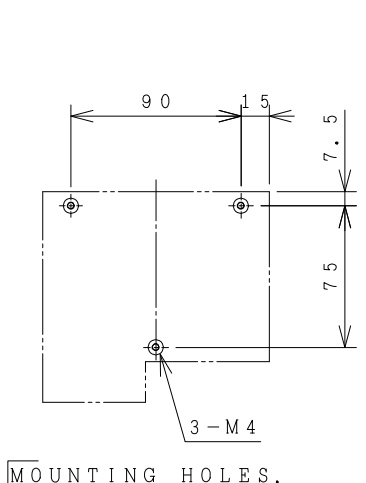
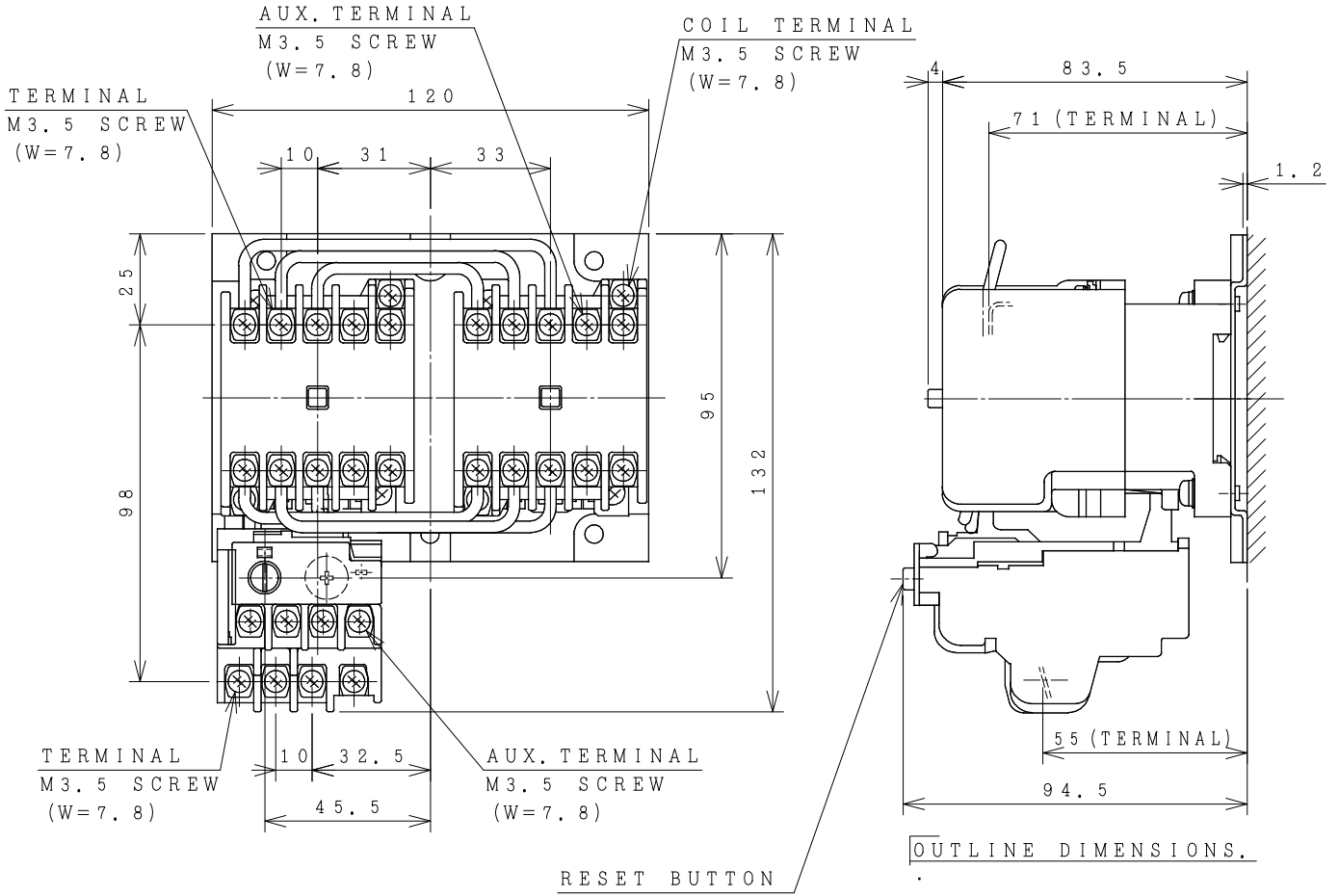


HITACHI ELECTROMAGNETIC SWITCH

Type	Rated insulation voltage (Ui)	Max. rated capacity of motor			Rated thermal current (AC1 = I _{th})	Applicable standard	Aux. Contact	Weight
		V	kW	A				
H11-RT	AC 660 V	240V	3kW	12A	20 A	IEC 60947-4-1	1a1b x2	0.82 kg
H11-RTK		440V	4kW	9A			2a x2 2b x2	



CONTACTS ARRANGEMENT.
(Reference 43042542R01).

- ※REMARK
- DIMENSION UNIT = Millimeter (mm).
 - (a) = AUX. CONTACT NORMALLY OPENED.
 - (b) = AUX. CONTACT NORMALLY CLOSED.

DWN. C. JERRANAN	19/09/16	PROJECTION	TITLE
CHKD. <i>[Signature]</i>		SCALE	DIMENSION OF H11-RT, RTK
APPD. <i>[Signature]</i>		NTS.	
HITACHI Hitachi Industrial Technology (Thailand), Ltd.			HITT WORKS DWG. No.
			4HTN000847
			REV.
			00
			SH.
			01
			01

(W=) : WIDTH OF TERMINAL.