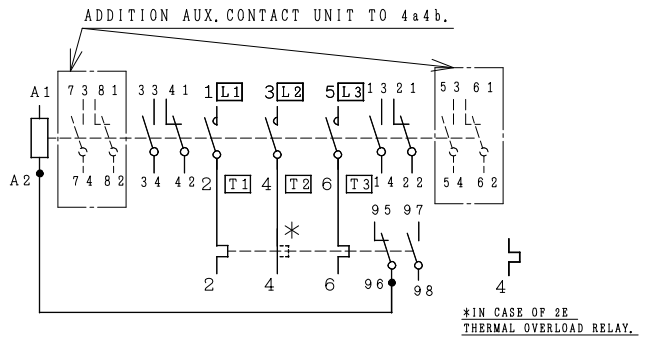
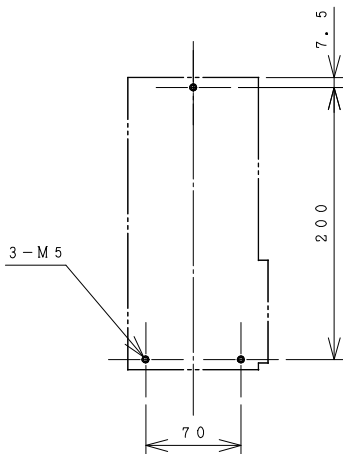
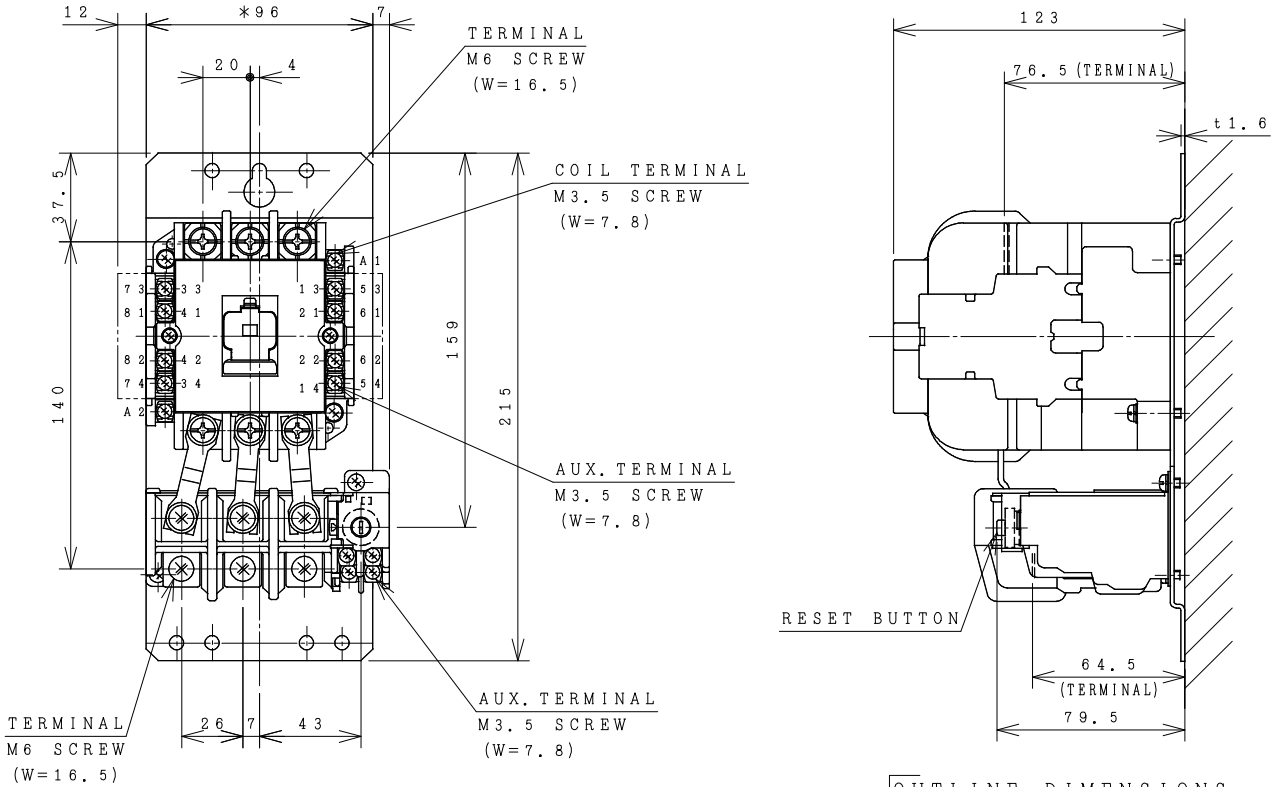


HITACHI ELECTROMAGNETIC SWITCH

Type	Rated insulation voltage (Ui)	Max. rated capacity of motor			Rated thermal current (AC1 = Ith)	Applicable standard	Aux. Contact	Weight
H65C-T	AC 660 V	240V	18.5kW	65A	80 A	IEC 60947-4-1	2a2b	1.9 kg
H65C-TK		440V	30kW	65A				

*WITH AUX. CONTACT 4 a 4 b = 112 mm.



CONTACTS ARRANGEMENT.

(Reference 43055977R03).

※REMARK

- DIMENSION UNIT = Millimeter (mm.).
- (a) = AUX. CONTACT NORMALLY OPENED.
- (b) = AUX. CONTACT NORMALLY CLOSED.

DWN. S. CHAIAMPOL	09/08/16	PROJECTION	TITLE
CHKD. <i>Jan-a</i>	S	SCALE NTS.	DIMENSION OF H65C-T, TK
APPD. <i>C.Khattisak</i>			
HITT WORKS DWG. No.			REV.
HITACHI Hitachi Industrial Technology (Thailand), Ltd.			00
			01
			01

(W=) : WIDTH OF TERMINAL.

4HTN000855