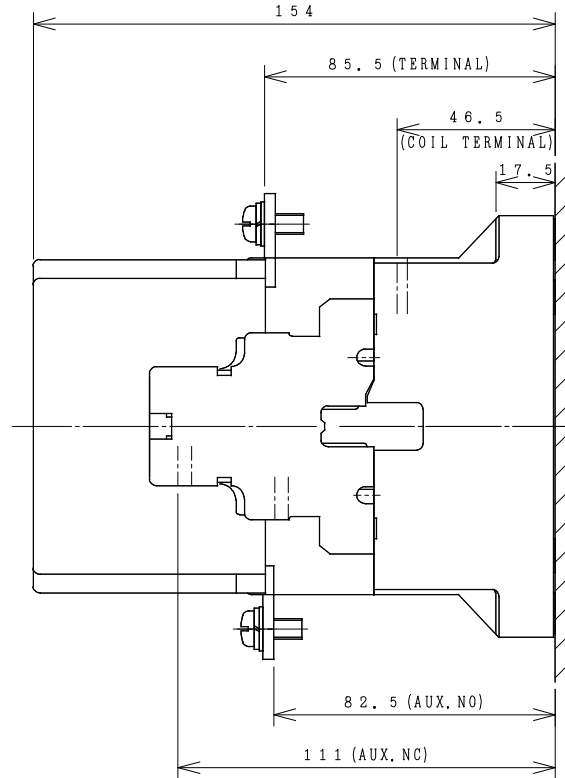
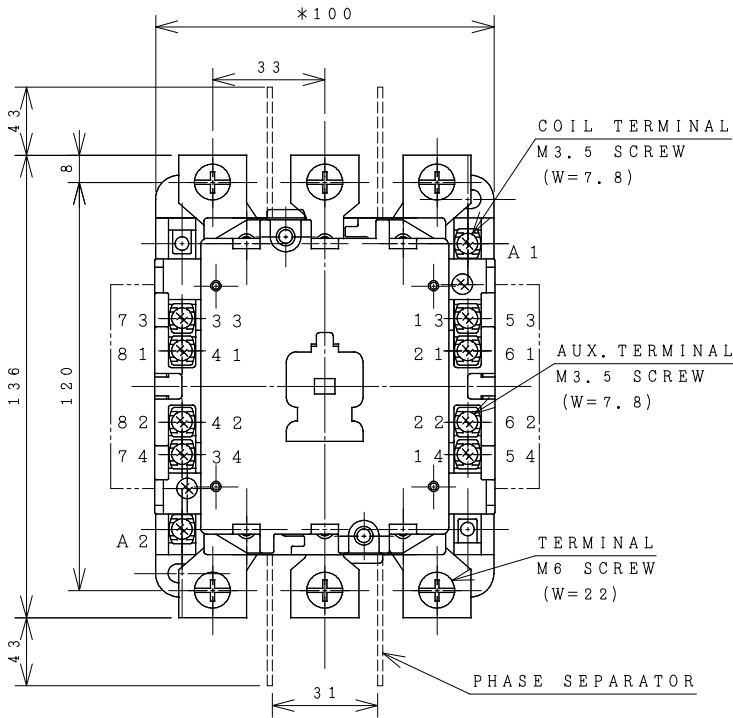


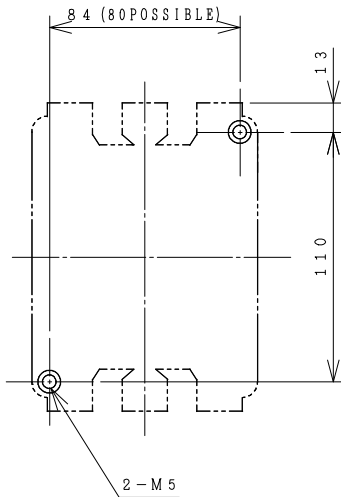
HITACHI ELECTROMAGNETIC CONTACTOR

Type	Rated insulation voltage (Ui)	Max. rated capacity of motor			Rated thermal current (AC1 = Ith)	Applicable standard	Aux. Contact	Weight
		240V	22kW	80A				
H80C-G	AC 660	240V	22kW	80A	120	IEC 60947-4-1	2a1b	2.0 kg
	V	440V	37kW	80A				

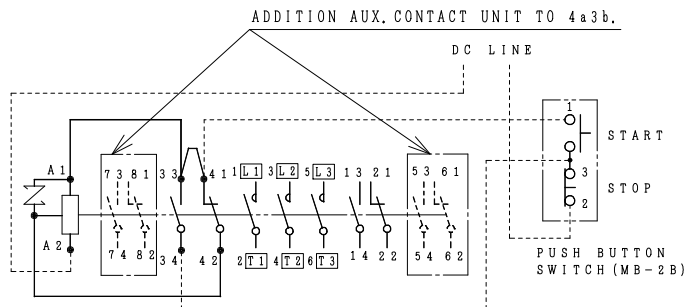
*WITH AUX. CONTACT 4a3b = 124 mm.



OUTLINE DIMENSIONS.



MOUNTING HOLES.



CONTACTS ARRANGEMENT.

(Reference 43056034R03).

***REMARK**

- DIMENSION UNIT = Millimeter (mm.).
- (a) = AUX. CONTACT NORMALLY OPENED.
- (b) = AUX. CONTACT NORMALLY CLOSED.

DWN. S. CHAIAMPOL	09/08/16	PROJECTION	TITLE
CHKD. <i>Jan-a</i>	S	SCALE NTS.	DIMENSION OF H80C-G
APPD. <i>C.Kiattisak</i>			
HITT WORKS DWG. No.			REV.
HITACHI Hitachi Industrial Technology (Thailand), Ltd.			00
			01
4HTN000867			01

(W=) : WIDTH OF TERMINAL.