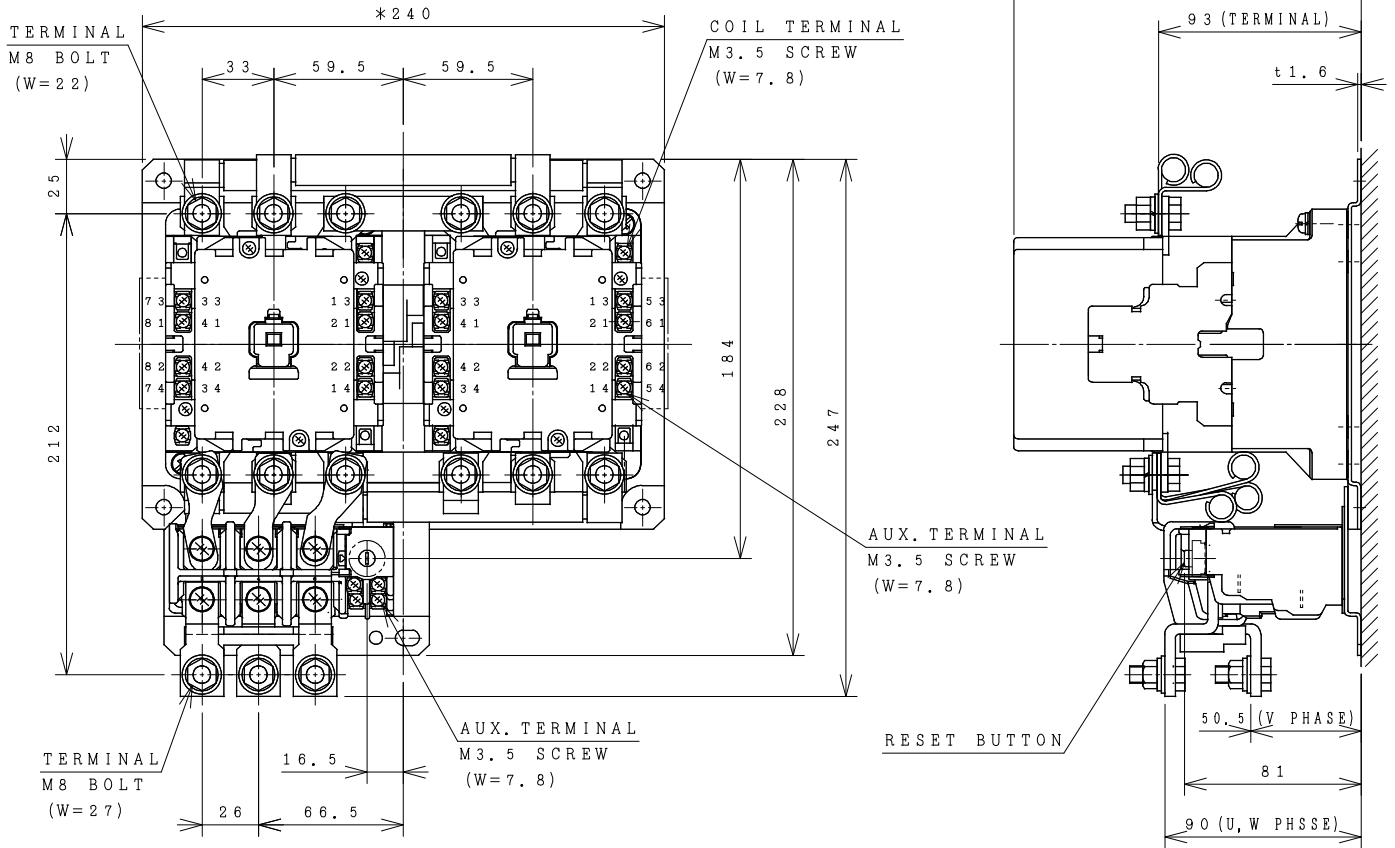


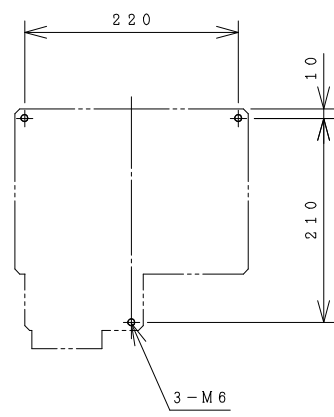
HITACHI ELECTROMAGNETIC SWITCH

Type	Rated insulation voltage (Ui)	Max. rated capacity of motor			Rated thermal current (AC1 = Ith)	Applicable standard	Aux. Contact	Weight
H125C-RT	AC 660 V	240V	37kW	126A	150 A	IEC 60947-4-1	(2a2b) x 2	6.4 kg
H125C-RTK		440V	60kW	125A				

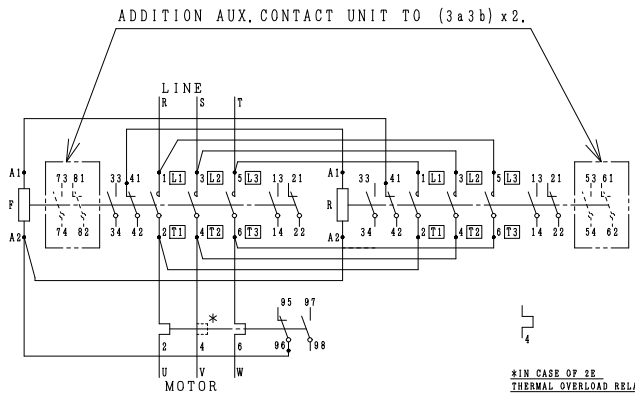
*WITH AUX. CONTACT (3a3b) x 2 = 243 mm.



OUTLINE DIMENSIONS.



MOUNTING HOLES.



CONTACTS ARRANGEMENT.

(Reference 43058180R01).

DWN. S. CHAIAMPOL	20/08/16	PROJECTION	TITLE
CHKD. <i>Jan-a</i>			DIMENSION OF H125C-RT, RTK
APPD. <i>C. Kiattisak</i>		SCALE NTS.	
HITT WORKS DWG. No.			REV.
HITACHI Hitachi Industrial Technology (Thailand), Ltd.			00
			01
4HTN000885			SH.
			01

(W=) : WIDTH OF TERMINAL.

*REMARK

- DIMENSION UNIT = Millimeter (mm.).

- (a) = AUX. CONTACT NORMALLY OPENED.

- (b) = AUX. CONTACT NORMALLY CLOSED.