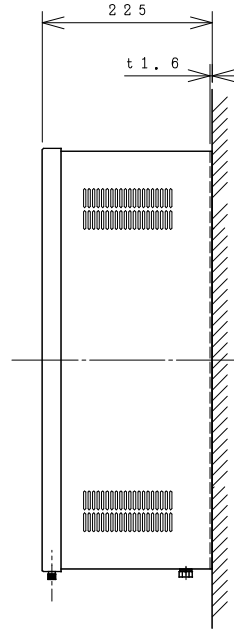
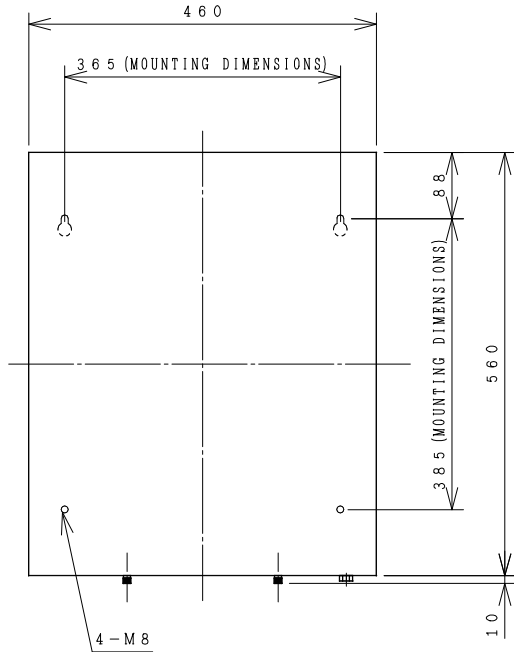
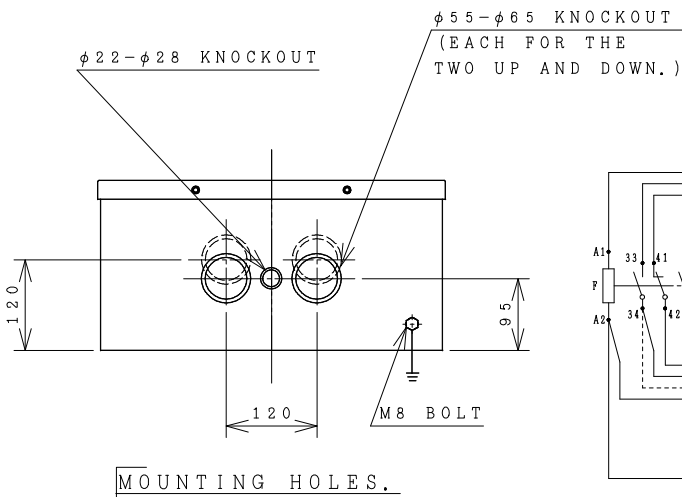


HITACHI ELECTROMAGNETIC SWITCH

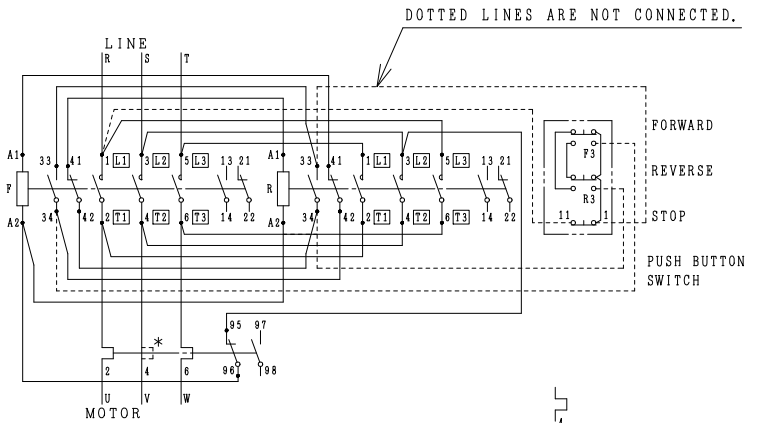
Type	Rated insulation voltage (Ui)	Max. rated capacity of motor			Rated thermal current (AC1 = I _{th})	Applicable standard	Aux. Contact	Weight
SH125C-RT	AC 660 V	240V	37kW	126A	125 A	IEC 60947-4-1	(2a2b) x 2	24 kg
SH125C-RTK		440V	60kW	125A				



OUTLINE DIMENSIONS.



MOUNTING HOLES.



*IN CASE OF 2E THERMAL OVERLOAD RELAY.

CONTACTS ARRANGEMENT.

(Reference 43064011R01).

REMARK

- DIMENSION UNIT = Millimeter (mm.)
- (a) = AUX. CONTACT NORMALLY OPENED.
- (b) = AUX. CONTACT NORMALLY CLOSED.

		TERMINAL SCREW	WIDTH OF TERMINAL
MAIN CIRCUIT	CONTACTOR	M8	22
	OVERLOAD RELAY	M8	27
OPERATION CIRCUIT	CONTACTOR	M3.5	7.8
	OVERLOAD RELAY	M3.5	7.8

DWN. S. CHAIAMPOL	20/08/16	PROJECTION	TITLE
CHKD. <i>Janaka</i>	S	SCALE NTS.	DIMENSION OF SH125C-RT, RTK
APPD. <i>C. Kattisak</i>			
HITT WORKS DWG. No.			REV.
HITACHI Hitachi Industrial Technology (Thailand), Ltd.			00
			01
			01
			01

4HTN000890