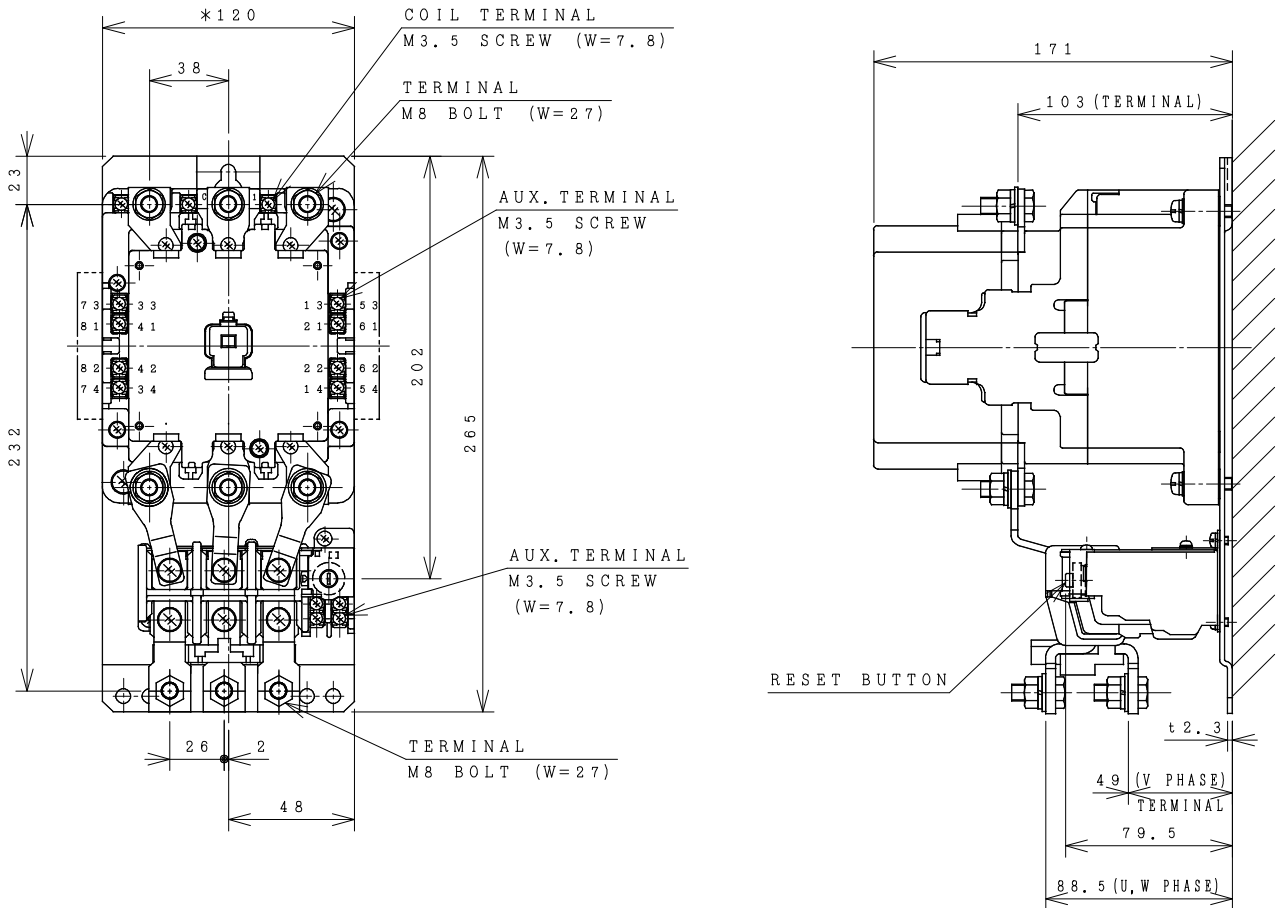


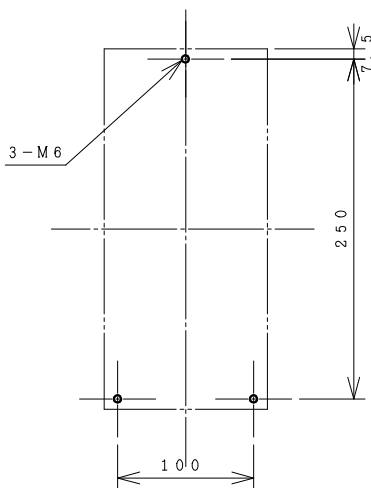
# HITACHI ELECTROMAGNETIC SWITCH

Type	Rated insulation voltage (Ui)	Max. rated capacity of motor			Rated thermal current (AC1 = I <sub>th</sub> )	Applicable standard	Aux. Contact	Weight
H150C-T	AC 660 V	240V	45kW	150A	200 A	IEC 60947-4-1	2a2b	3.9 kg
H150C-TK		440V	75kW	150A				

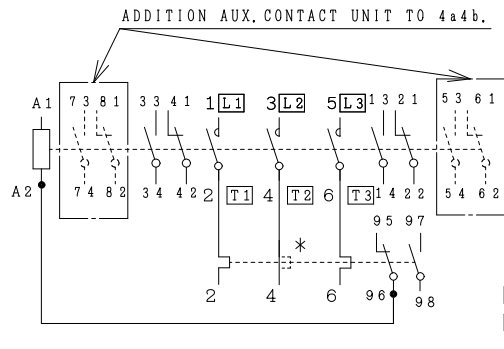
\*WITH AUX. CONTACT 4 a 4 b = 144 mm.



OUTLINE DIMENSIONS.



MOUNTING HOLES.



CONTACTS ARRANGEMENT.

\*IN CASE OF 2E THERMAL OVERLOAD RELAY.

(Reference 43055991R03).

DWN.	S. CHAIAMPOL	25/08/16	PROJECTION	TITLE
CHKD.	<i>Janaka</i>			DIMENSION OF H150C-T, TK
APPD.	<i>C. Kiattisak</i>		SCALE NTS.	
HITT WORKS DWG. No.				REV.
<b>HITACHI</b> Hitachi Industrial Technology (Thailand), Ltd.				00
				01
				01

(W=) : WIDTH OF TERMINAL.

\*REMARK

- DIMENSION UNIT = Millimeter (mm.).

- (a) = AUX. CONTACT NORMALLY OPENED.

- (b) = AUX. CONTACT NORMALLY CLOSED.

4HTN000892