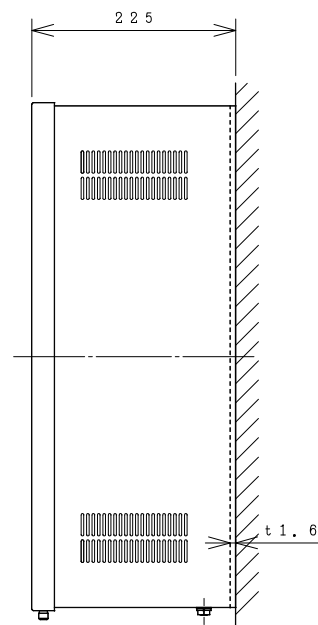
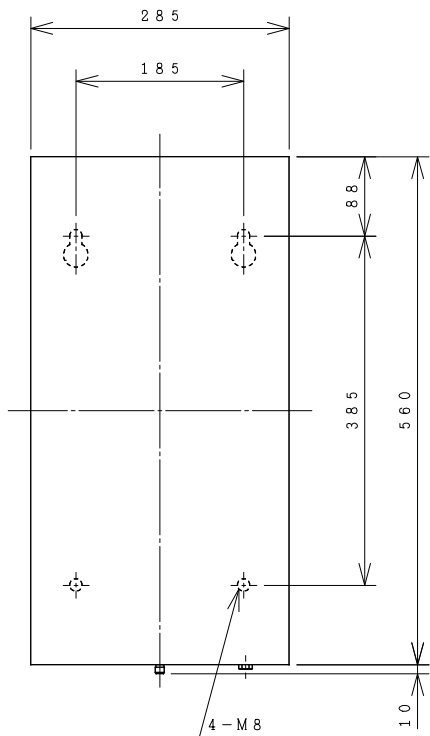
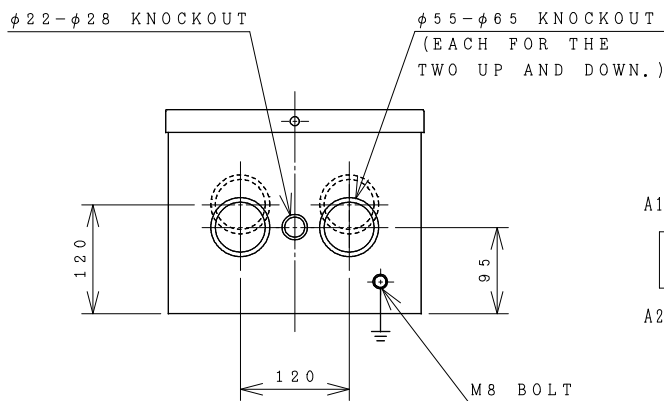


HITACHI ELECTROMAGNETIC SWITCH

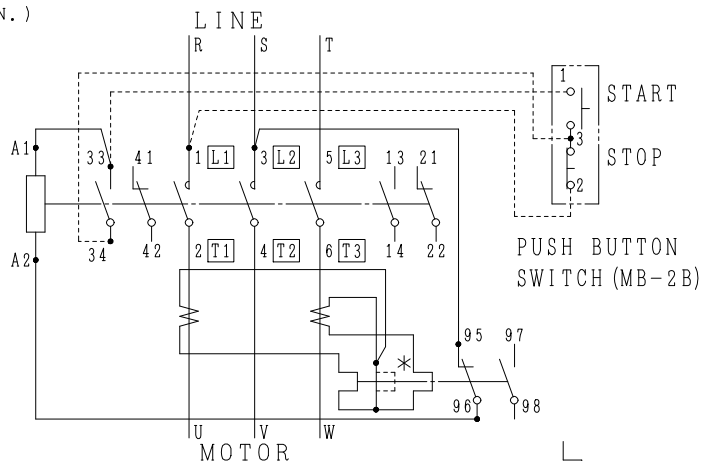
Type	Rated insulation voltage (Ui)	Max. rated capacity of motor			Rated thermal current (AC1 = I _{th})	Applicable standard	Aux. Contact	Weight
		240V	55kW	182A				
SH200C-T	AC 660 V	240V	55kW	182A	180 A	IEC 60947-4-1	2a2b	14 kg
SH200C-TK		440V	90kW	180A				



OUTLINE DIMENSIONS.



MOUNTING HOLES.



CONTACTS ARRANGEMENT.

*IN CASE OF 2E THERMAL OVERLOAD RELAY.

		TERMINAL SCREW	WIDTH OF TERMINAL
MAIN CIRCUIT	CONTACTOR	M10 (BOLT)	37
	OVERLOAD RELAY	M10 (BOLT)	37
OPERATION CIRCUIT	CONTACTOR	M3.5	7.8
	OVERLOAD RELAY	M3.5	7.8

REMARK

- DIMENSION UNIT = Millimeter (mm.).
- (a) = AUX. CONTACT NORMALLY OPENED.
- (b) = AUX. CONTACT NORMALLY CLOSED.

(Reference 43059652R01).

DWN. S. CHAIAMPOL	26/08/16	PROJECTION	TITLE
CHKD. <i>Jan-a</i>	S	SCALE	DIMENSION OF SH200C-T, TK
APPD. <i>C.Kiatissak</i>		NTS.	
HITT WORKS DWG. No.			REV.
HITACHI Hitachi Industrial Technology (Thailand), Ltd.			00
			01
4HTN000909			01