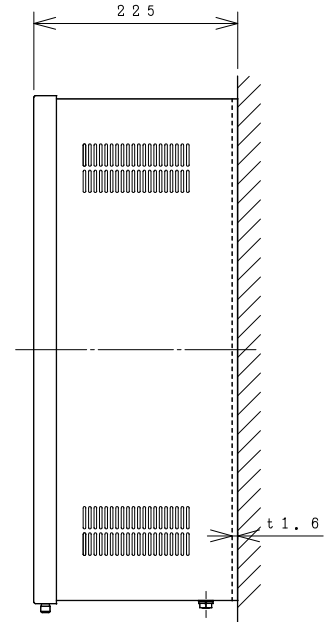
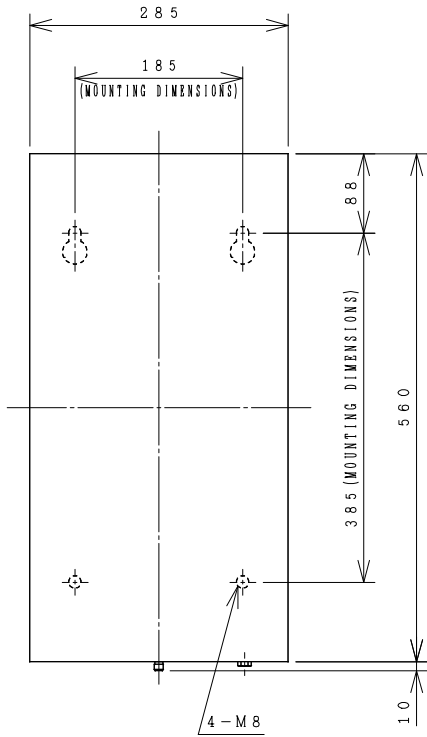
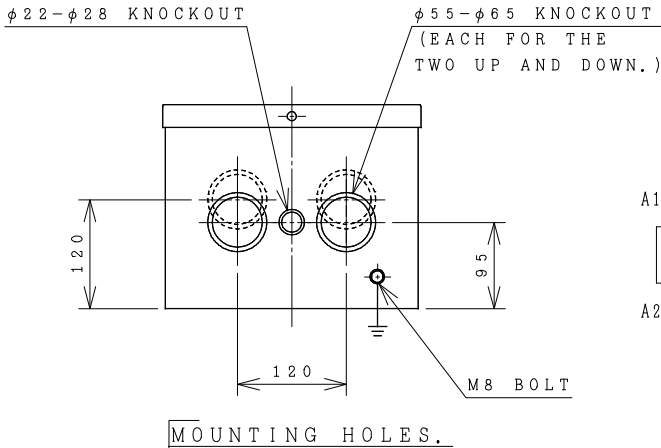


HITACHI ELECTROMAGNETIC SWITCH

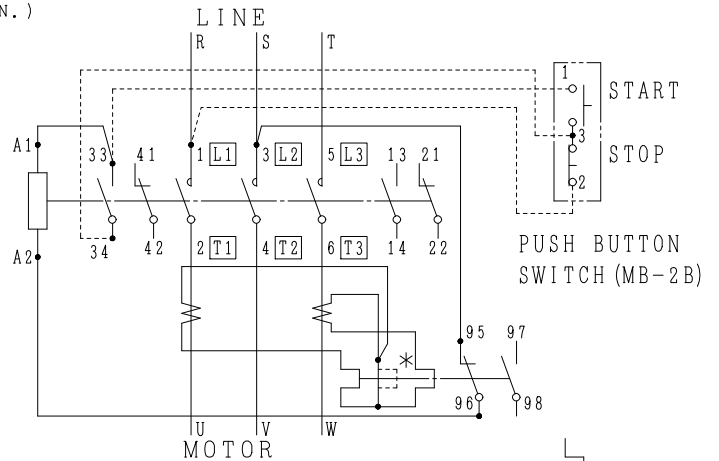
Type	Rated insulation voltage (Ui)	Max. rated capacity of motor			Rated thermal current (AC1 = Ith)	Applicable standard	Aux. Contact	Weight
		240V	75kW	240A				
SH250C-T	AC 660 V	240V	75kW	240A	240 A	IEC 60947-4-1	2a2b	14.5 kg
SH250C-TK		440V	120kW	240A				



OUTLINE DIMENSIONS.



MOUNTING HOLES.



CONTACTS ARRANGEMENT.

*IN CASE OF 2E THERMAL OVERLOAD RELAY.

		TERMINAL SCREW	WIDTH OF TERMINAL
MAIN CIRCUIT	CONTACTOR	M10 (BOLT)	37
	OVERLOAD RELAY	M10 (BOLT)	37
OPERATION CIRCUIT	CONTACTOR	M3.5	7.8
	OVERLOAD RELAY	M3.5	7.8

REMARK

- DIMENSION UNIT = Millimeter (mm.).
- (a) = AUX. CONTACT NORMALLY OPENED.
- (b) = AUX. CONTACT NORMALLY CLOSED.

(Reference 43063967R01).

DWN. S. CHAIAMPOL	26/08/16	PROJECTION	TITLE
CHKD. <i>Jan-a</i>	S	SCALE	DIMENSION OF SH250C-T, TK
APPD. <i>C.Kiatissak</i>		NTS.	
HITT WORKS DWG. No.			REV.
HITACHI Hitachi Industrial Technology (Thailand), Ltd.			00
			01
			01

4HTN000918