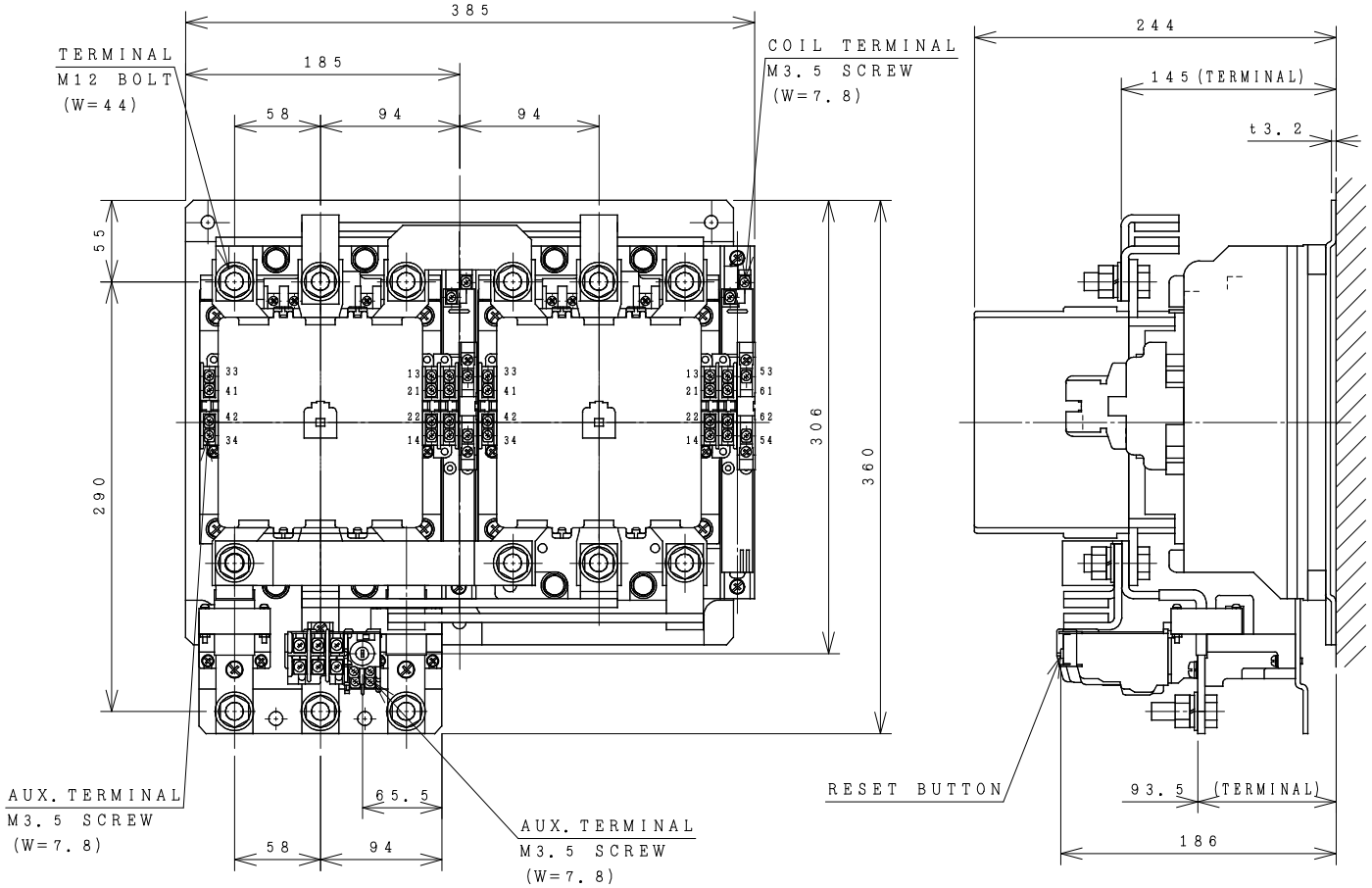
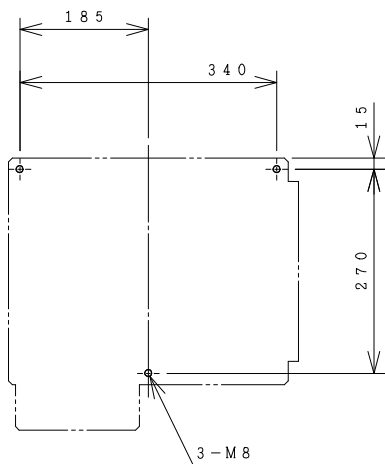


HITACHI ELECTROMAGNETIC SWITCH

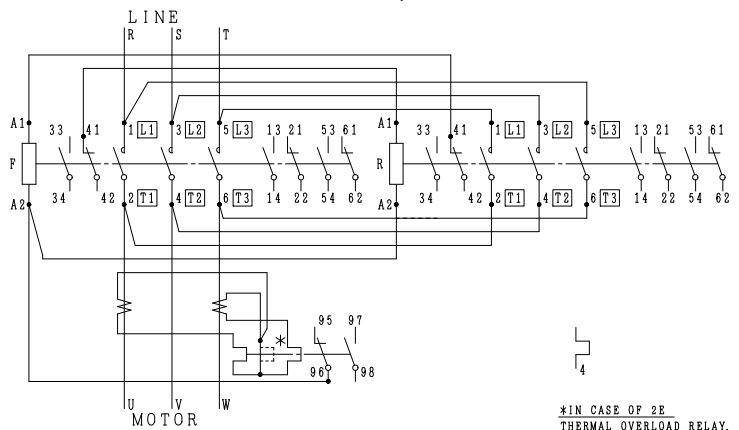
Type	Rated insulation voltage (Ui)	Max. rated capacity of motor			Rated thermal current (AC1 = Ith)	Applicable standard	Aux. Contact	Weight
H300C-RT	AC 660 V	240V	90kW	300A	350 A	IEC 60947-4-1	(3a3b) x 2	30 kg
H300C-RTK		440V	150kW	300A				



OUTLINE DIMENSIONS.



MOUNTING HOLES.



CONTACTS ARRANGEMENT.

(Reference 43058183R01).

DWN. S. CHAIAMPOL	02/09/16	PROJECTION	TITLE
CHKD. <i>Janaka</i>		SCALE	DIMENSION OF H300C-RT, RTK
APPD. <i>C. Kiatissak</i>		NTS.	
HITT WORKS DWG. No.			REV.
HITACHI Hitachi Industrial Technology (Thailand), Ltd.			00
			01
			01

(W=) : WIDTH OF TERMINAL.
 *REMARK
 - DIMENSION UNIT = Millimeter (mm.)
 - (a) = AUX. CONTACT NORMALLY OPENED.
 - (b) = AUX. CONTACT NORMALLY CLOSED.

4HTN000923