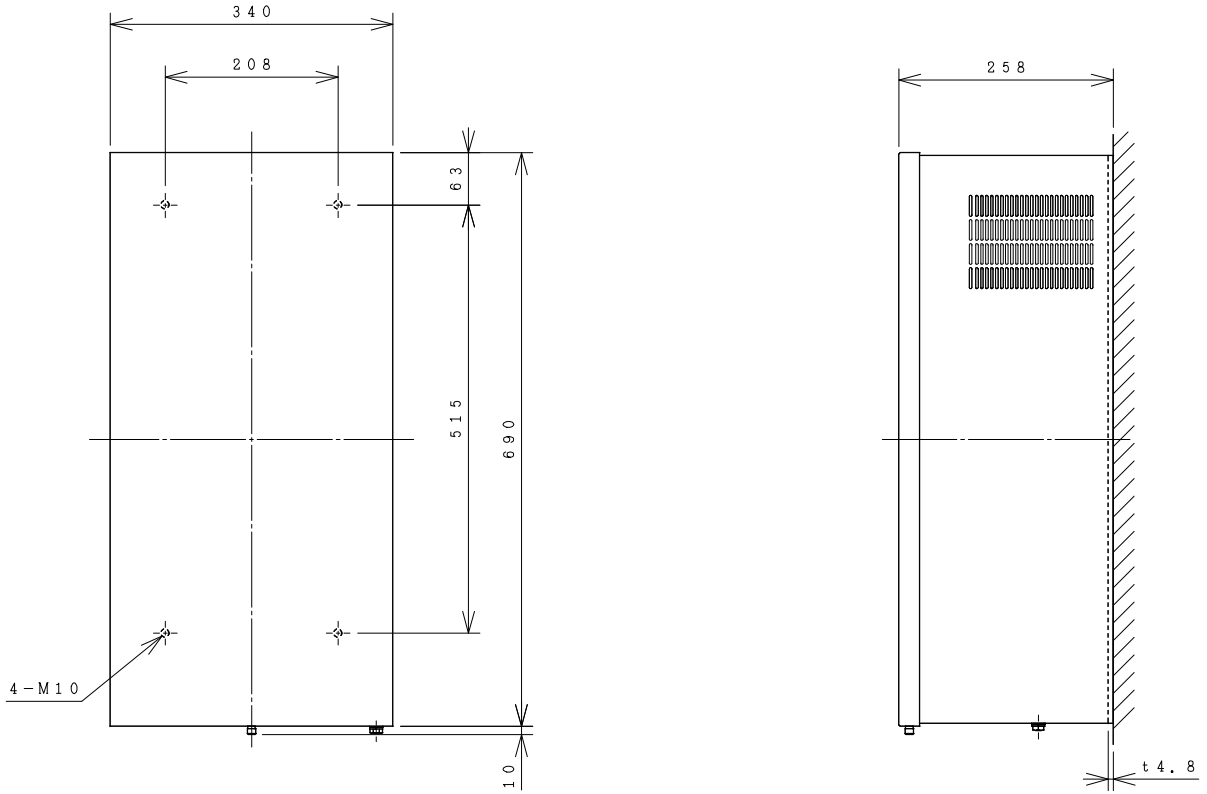
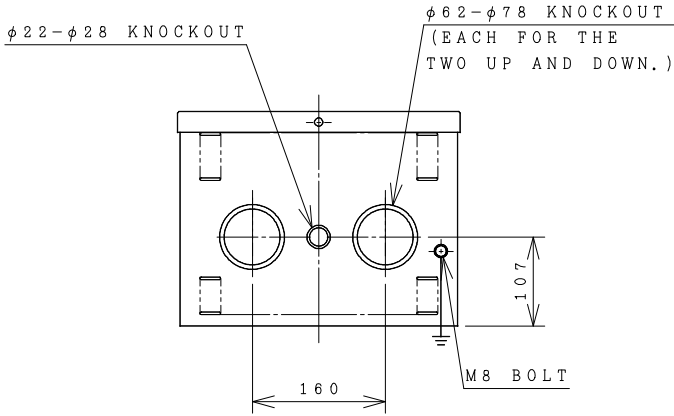


# HITACHI ELECTROMAGNETIC SWITCH

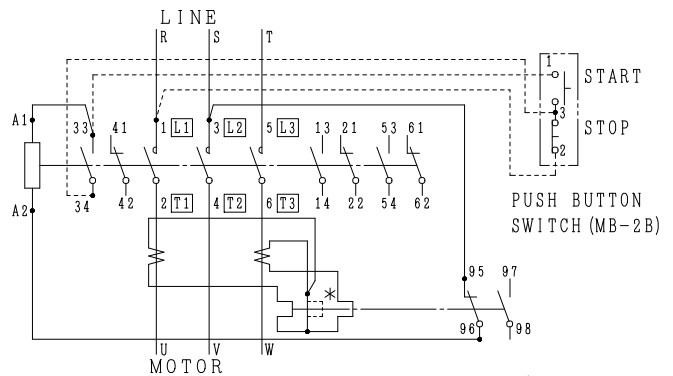
Type	Rated insulation voltage (Ui)	Max. rated capacity of motor			Rated thermal current (AC1 = I <sub>th</sub> )	Applicable standard	Aux. Contact	Weight
		240V	115kW	400A				
SH400C-T	AC 660 V	240V	115kW	400A	400 A	IEC 60947-4-1	3a3b	25 kg
SH400C-TK		440V	200kW	400A				



OUTLINE DIMENSIONS.



MOUNTING HOLES.



CONTACTS ARRANGEMENT.

(Reference 43062822R01).

\*IN CASE OF 2E THERMAL OVERLOAD RELAY.

REMARK

- DIMENSION UNIT = Millimeter (mm.).
- (a) = AUX. CONTACT NORMALLY OPENED.
- (b) = AUX. CONTACT NORMALLY CLOSED.

		TERMINAL SCREW	WIDTH OF TERMINAL
MAIN	CONTACTOR	M12 (BOLT)	44
CIRCUIT	OVERLOAD RELAY	M12 (BOLT)	44
OPERATION	CONTACTOR	M3.5	7.8
CIRCUIT	OVERLOAD RELAY	M3.5	7.8

DWN. S. CHAIAMPOL	02/09/16	PROJECTION	TITLE
CHKD. <i>Jan-a</i>	S	SCALE NTS.	DIMENSION OF SH400C-T, TK
APPD. <i>C.Kiattisak</i>			
<p><b>HITACHI</b> Hitachi Industrial Technology (Thailand), Ltd.</p>			REV. 00 SH. 01 01

4HTN000936