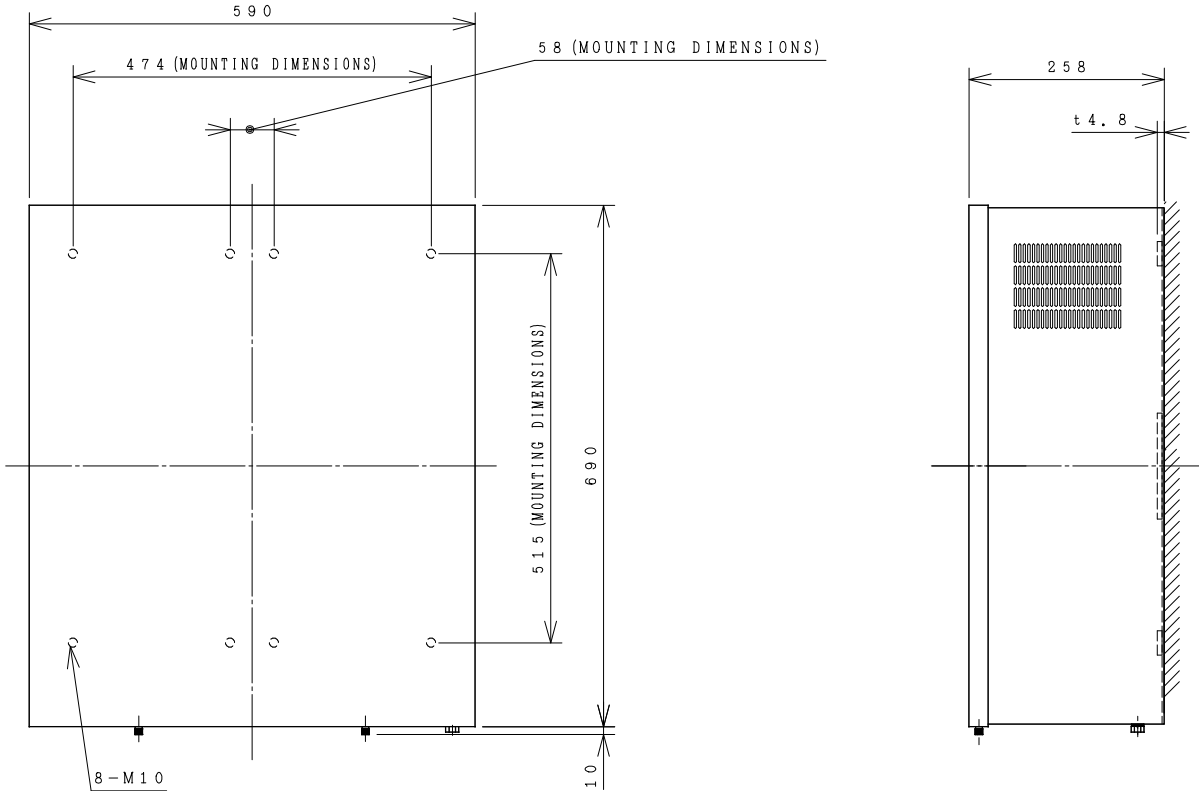
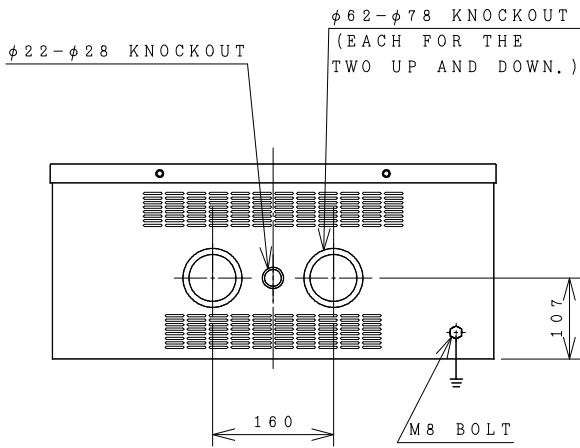


HITACHI ELECTROMAGNETIC SWITCH

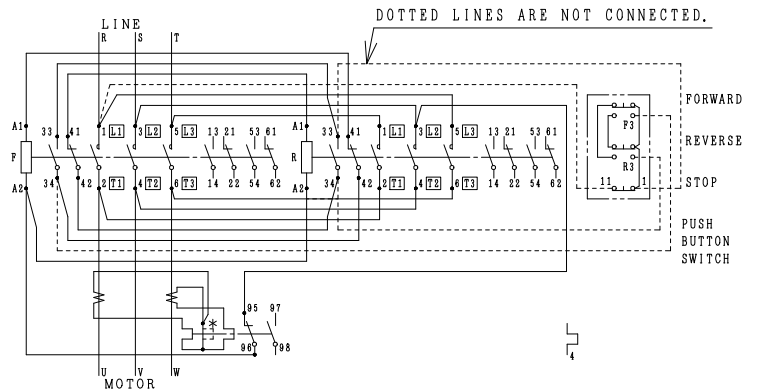
| Type | Rated insulation voltage (Ui) | Max. rated capacity of motor | | | Rated thermal current (AC1 = I _{th}) | Applicable standard | Aux. Contact | Weight |
|------------|-------------------------------|------------------------------|-------|------|--|---------------------|--------------|----------|
| SH400C-RT | AC 660 V | 240V | 115kW | 400A | 400 A | IEC 60947-4-1 | (3a3b) x 2 | 55 kg |
| SH400C-RTK | | 440V | 200kW | 400A | | | | |



OUTLINE DIMENSIONS.



MOUNTING HOLES.



CONTACTS ARRANGEMENT.

(Reference 43064016R01).

REMARK

- DIMENSION UNIT = Millimeter (mm.).
- (a) = AUX. CONTACT NORMALLY OPENED.
- (b) = AUX. CONTACT NORMALLY CLOSED.

| | TERMINAL SCREW | WIDTH OF TERMINAL |
|-------------------|----------------|-------------------|
| MAIN CIRCUIT | CONTACTOR | M12 44 |
| | OVERLOAD RELAY | M12 44 |
| OPERATION CIRCUIT | CONTACTOR | M3, 5 7.8 |
| | OVERLOAD RELAY | M3, 5 7.8 |

| | | | |
|---|----------|------------|-----------------------------|
| DWN. S. CHAIAMPOL | 02/09/16 | PROJECTION | TITLE |
| CHKD. <i>Jana</i> | | SCALE | DIMENSION OF SH400C-RT, RTK |
| APPD. <i>C. Kiatissak</i> | | NTS. | |
| HITACHI Hitachi Industrial Technology (Thailand), Ltd. | | | HITT WORKS DWG. No. |
| | | | REV. |
| | | | 00 |
| | | | SH. |
| | | | 01 |
| | | | 01 |

4HTN000937