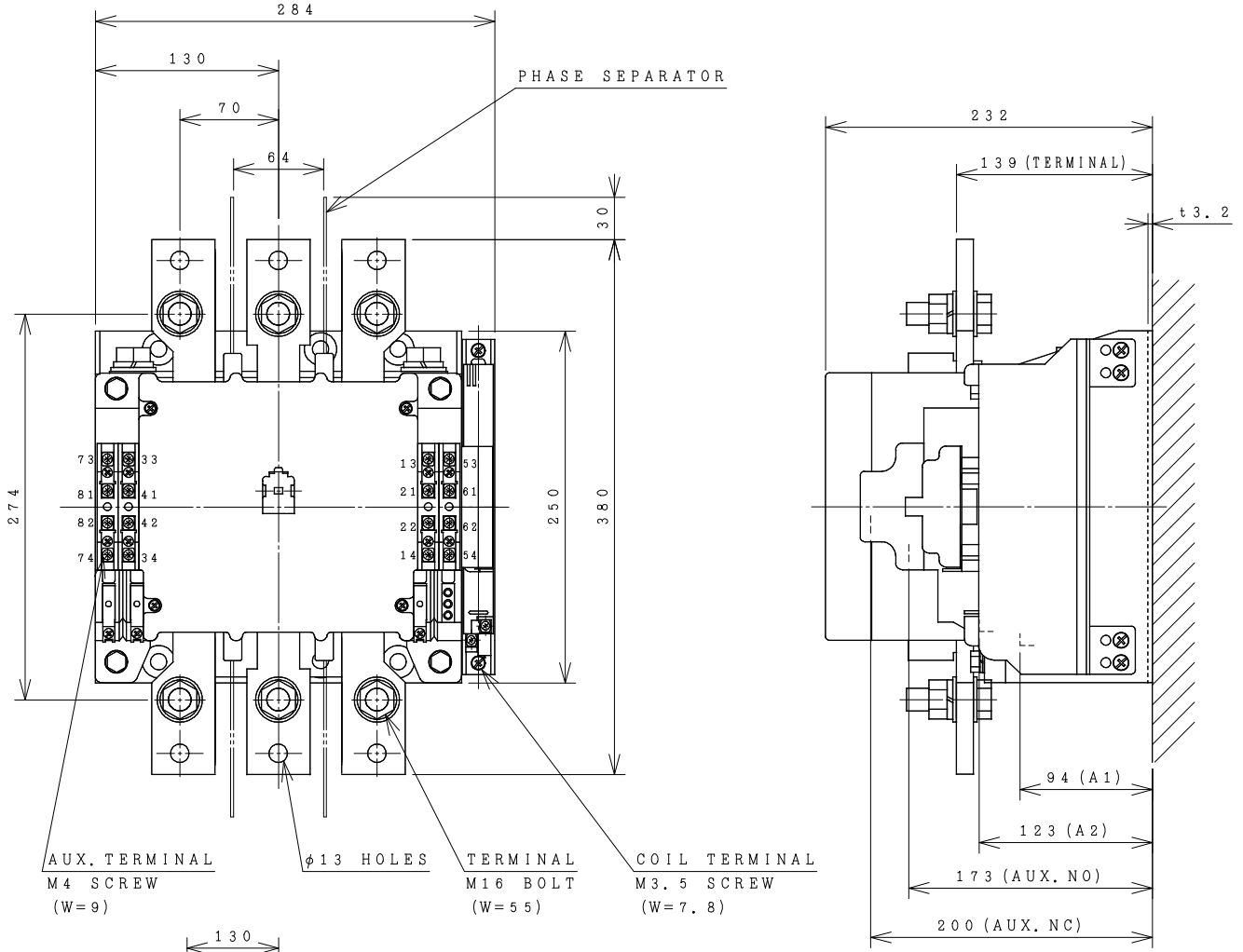
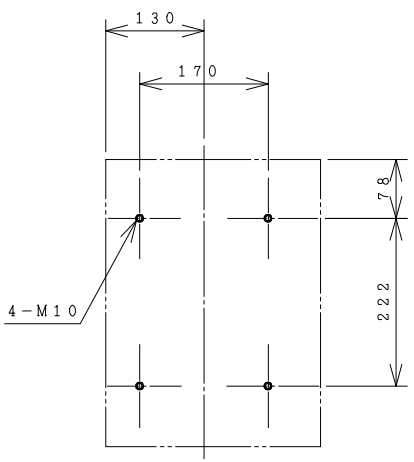


# HITACHI ELECTROMAGNETIC CONTACTOR

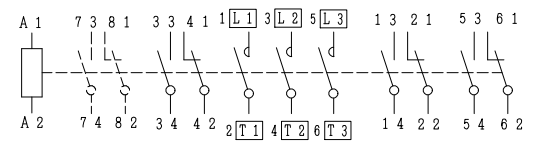
Type	Rated insulation voltage (Ui)	Max. rated capacity of motor			Rated thermal current (AC1 = Ith)	Applicable standard	Aux. Contact	Weight
		240V	200kW (AC2)	800A (AC2)				
H800C	660 V	440V	400kW (AC2)	800A (AC2)	800 A	IEC 60947-4-1	4a4b	25 kg



OUTLINE DIMENSIONS.



MOUNTING HOLES.



CONTACTS ARRANGEMENT.

(W=) : WIDTH OF TERMINAL.

※REMARK

- DIMENSION UNIT = Millimeter (mm.)

- (a) = AUX. CONTACT NORMALLY OPENED.

- (b) = AUX. CONTACT NORMALLY CLOSED.

(Reference 43055976R02).

DWN. S. CHAIAMPOL	26/08/16	PROJECTION	TITLE
CHKD. <i>Jan-a</i>			DIMENSION OF H800C
APPD. <i>C. Kiattisak</i>		SCALE NTS.	
HITT WORKS DWG. No.			REV.
<b>HITACHI</b> Hitachi Industrial Technology (Thailand), Ltd.			00
			01
			01

4HTN000947