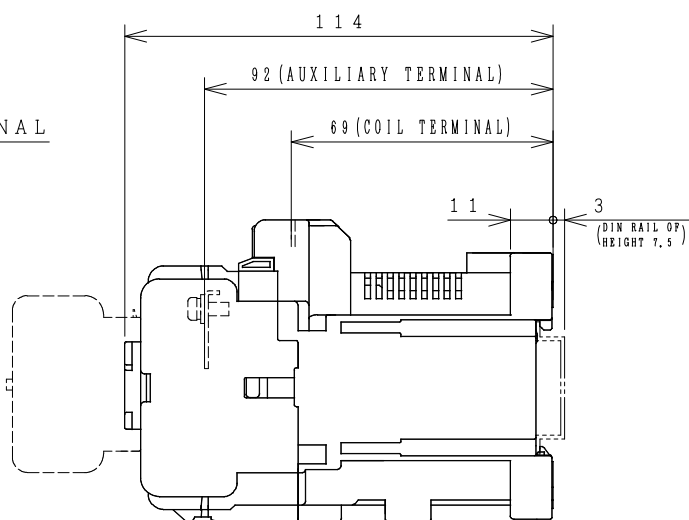
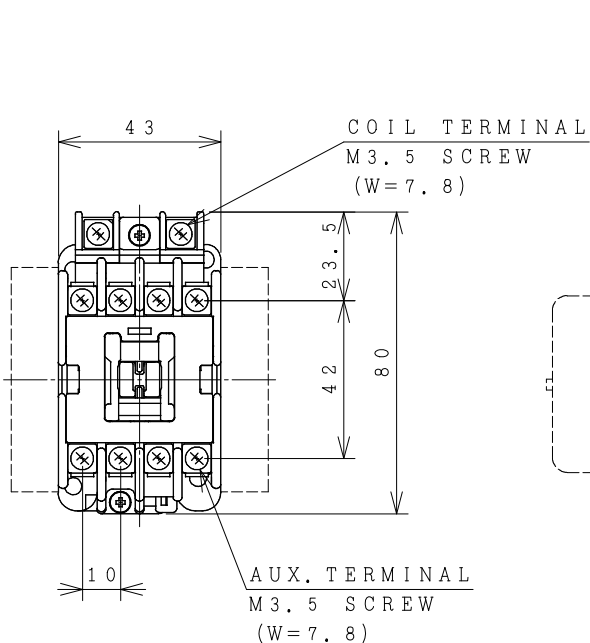


HITACHI CONTACTOR RELAYS

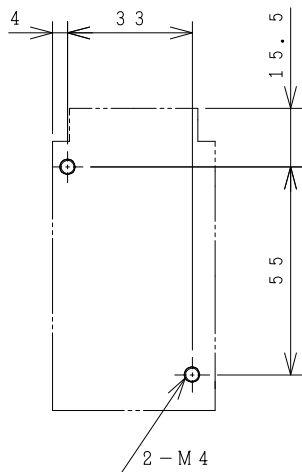
Type	Rated insulation voltage (Ui)	Rate Current (AC15)		Rated thermal current (Ith)	Applicable standard	Aux. Contact	Weight
		240V	3A				
XS4-G	AC 690 V	440V	1.5A	10 A	IEC 60947-5-1	4a	0.59 kg
						3a1b	

※WITH AUX. CONTACT SIDE ON UNIT = 68mm.

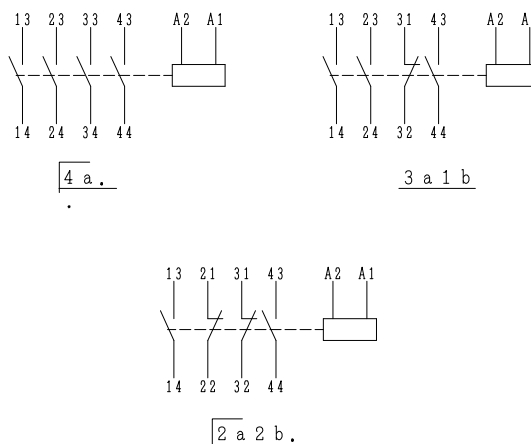
※WITH AUX. CONTACT HEAD ON UNIT = 145mm.



OUTLINE DIMENSIONS.



MOUNTING HOLES.



CONTACTS ARRANGEMENT.

(Reference 43068166R00).

※REMARK

- DIMENSION UNIT = Millimeter (mm).

- (a) = AUX. CONTACT NORMALLY OPENED.

- (b) = AUX. CONTACT NORMALLY CLOSED.

DWN. C. JEBRANAN	12/09/16	PROJECTION	TITLE
CHKD. <i>C. Kiatissak</i>		SCALE	DIMENSION OF XS4-G
APPD. <i>Thakseud</i>		NTS.	
HITACHI Hitachi Industrial Technology (Thailand), Ltd.			HITT WORKS DWG. No.
			4HTN000951
			REV.
			00
			SH.
			01
			01

- 30 x 48
- 34 x 48
- 34 x 52
- 35 x 50

ALSO POSSIBLE.

(W=) : WIDTH OF TERMINAL.