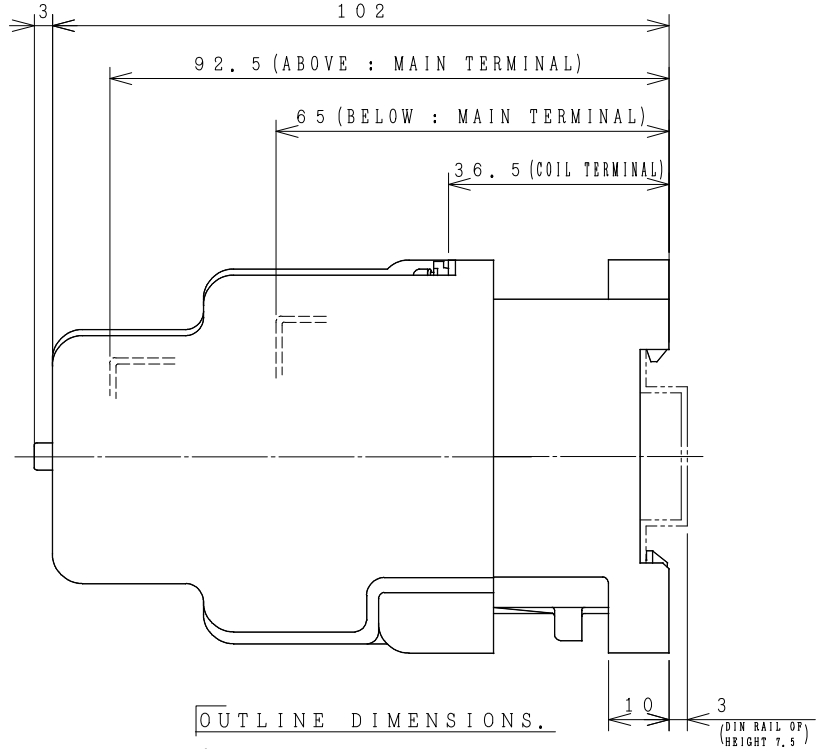
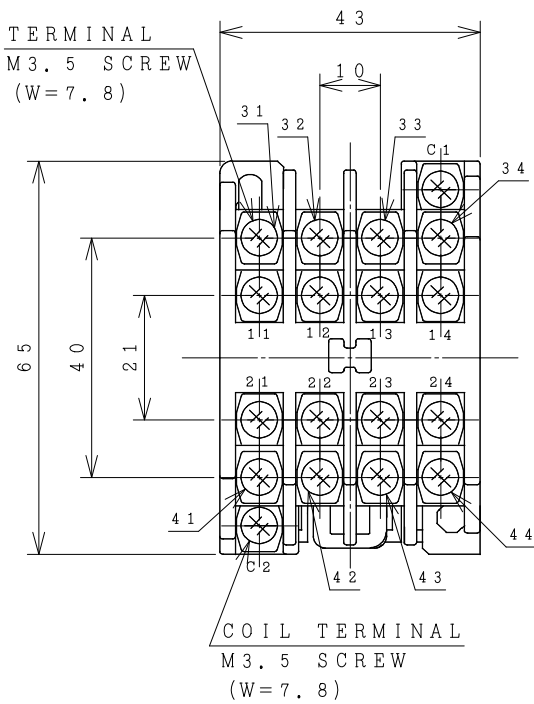


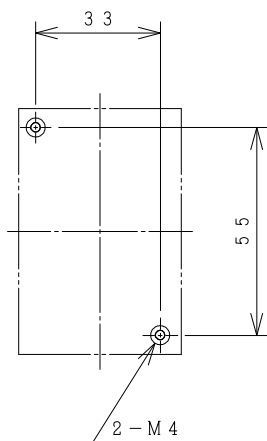
# HITACHI CONTACTOR RELAYS

Type	Rated insulation voltage (Ui)	Rate Current (AC15)		Rated thermal current (Ith)	Applicable standard	Aux. Contact	Weight
X8 (X8-W)	AC 660 V	240V	3 (2) A	15 (10) A	IEC 60947-5-1	8a, 6a2b 5a3b, 4a4b	0.31 kg
		440V	3 (1) A				

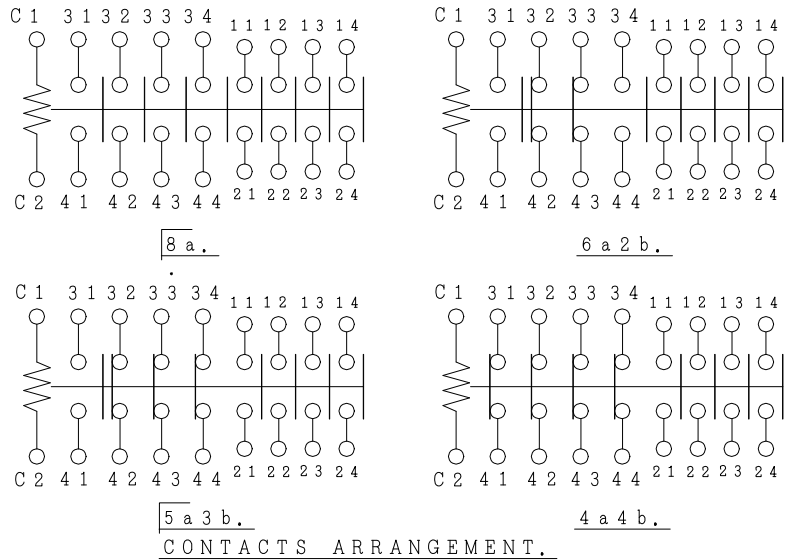
(X8-W) IN THE CASE OF TWIN CONTACTS TYPE.



OUTLINE DIMENSIONS.



MOUNTING HOLES.



CONTACTS ARRANGEMENT.

(Reference 43042547R02).

※REMARK

- DIMENSION UNIT = Millimeter (mm).
- (a) = AUX. CONTACT NORMALLY OPENED.
- (b) = AUX. CONTACT NORMALLY CLOSED.

DWN. C. JEERANAN	13/09/16	PROJECTION	TITLE
CHKD. <i>C. Kiatissak</i>		SCALE	DIMENSION OF X8, X8-W
APPD. <i>T. Kiatissak</i>		NTS.	
HITACHI Hitachi Industrial Technology (Thailand), Ltd.			HITT WORKS DWG. No.
			4HTN000955
			REV.
			00
			SH.
			01
			01

34 x 48

34 x 52

35 x 50

ALSO POSSIBLE.

(W=) : WIDTH OF TERMINAL.