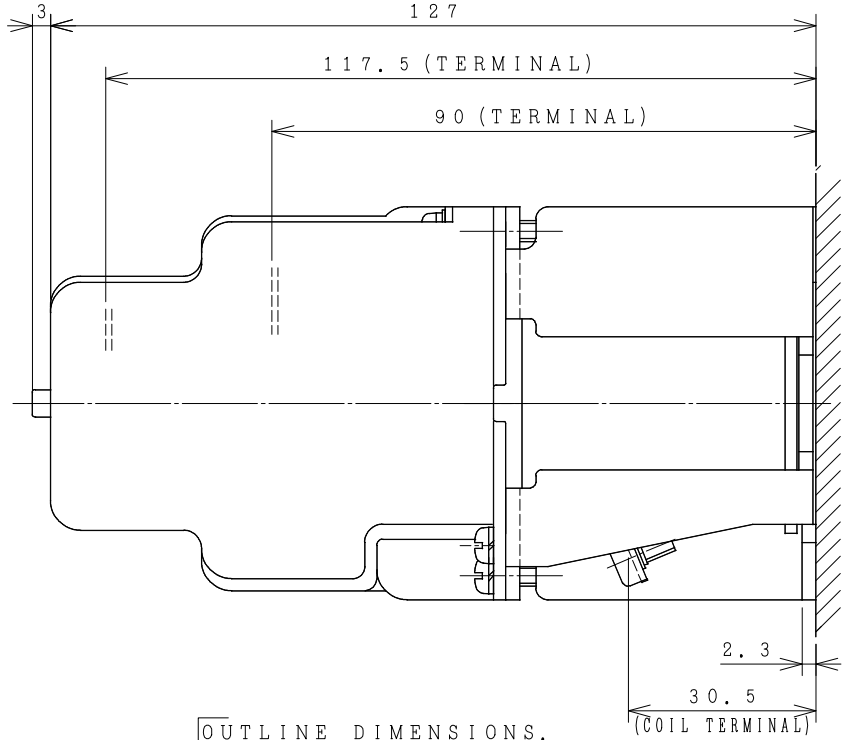
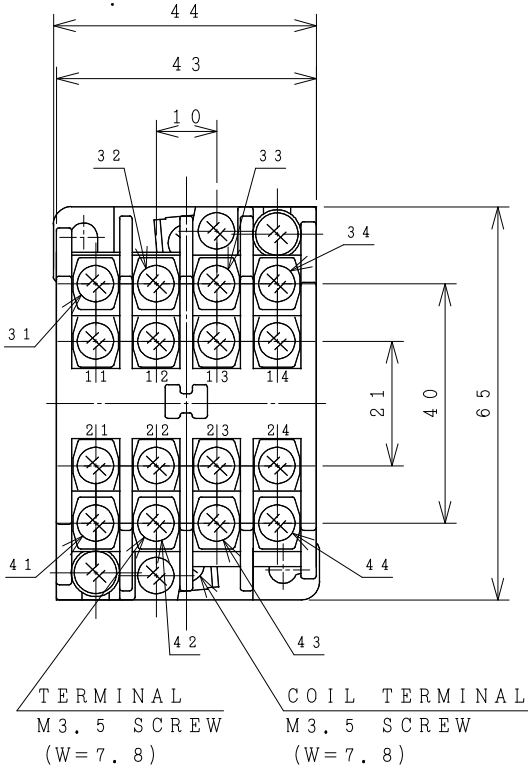


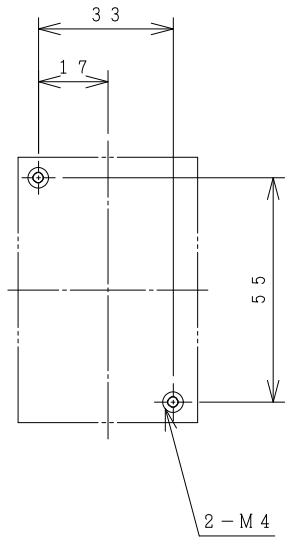
# HITACHI CONTACTOR RELAYS

Type	Rated insulation voltage (U <sub>i</sub> )	Rate Current (AC15)		Rated thermal current (I <sub>th</sub> )	Applicable standard	Aux. Contact	Weight
X8-G (X8-GW)	AC 660 V	240V	3 (2) A	15 (10) A	IEC 60947-5-1	8a, 6a2b 5a3b, 4a4b	0.62 kg
		440V	3 (1) A				

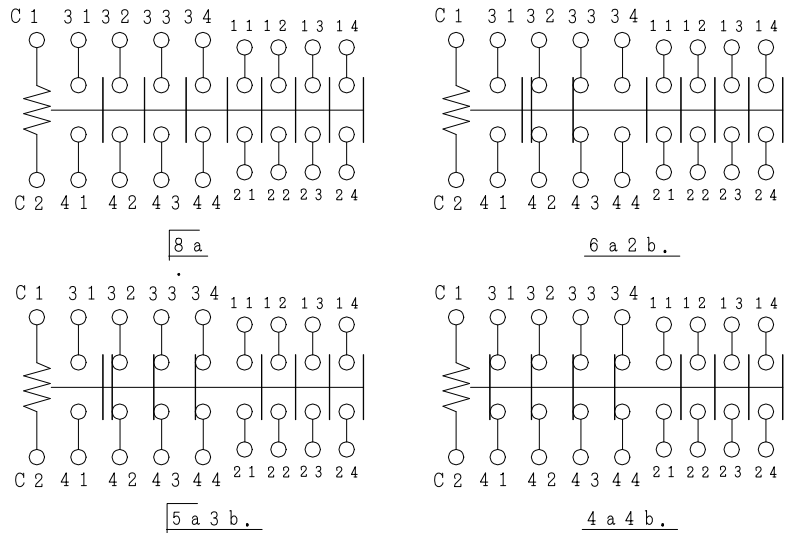
(X8-GW) IN THE CASE OF TWIN CONTACTS TYPE.



OUTLINE DIMENSIONS.



MOUNTING HOLES.



CONTACTS ARRANGEMENT.

(Reference 43046426R02).

※REMARK

- DIMENSION UNIT = Millimeter (mm).
- (a) = AUX. CONTACT NORMALLY OPENED.
- (b) = AUX. CONTACT NORMALLY CLOSED.

DWN. C. JERRANAN	13/09/16	PROJECTION	TITLE
CHKD. <i>C. Kiatissak</i>		SCALE	DIMENSION OF X8-G, X8-GW
APPD. <i>T. Kiatissak</i>		NTS.	
HITACHI Hitachi Industrial Technology (Thailand), Ltd.			HITT WORKS DWG. No.
			4 HTN000956
			REV.
			00
			SH.
			01
			01

- 34 x 48
- 34 x 52
- 35 x 50

ALSO POSSIBLE.

(W=) : WIDTH OF TERMINAL.