

HITACHI ELECTROMAGNETIC CONTACTOR

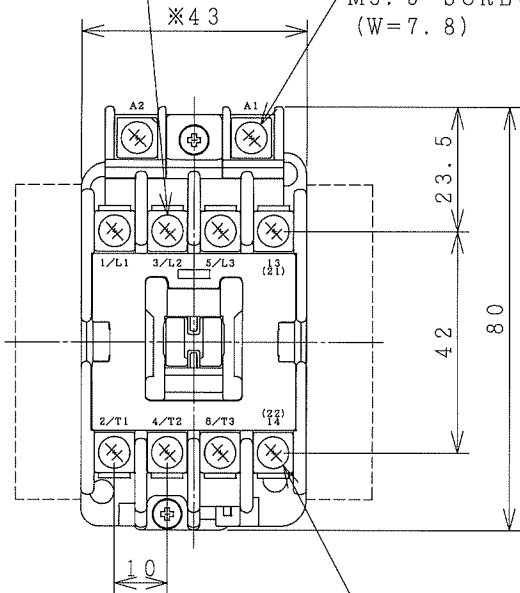
Type	Rated insulation voltage (Ui)	Max. rated capacity of motor			Rated thermal current (AC1 = Ith)	Applicable standard	Aux. Contact	Weight
		240V	4.5kW	18A				
HS18	AC 690 V	440V	7.5kW	18A	20 A	IEC 60947-4-1	1a or 1b	0.34 kg
		240V	4.5kW	18A				

※WITH AUX. CONTACT SIDE ON UNIT = 68mm.

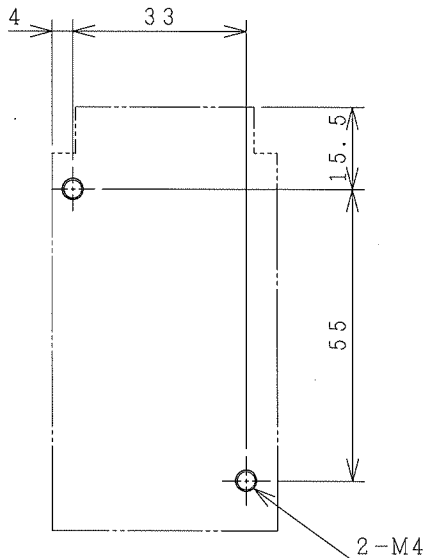
※WITH AUX. CONTACT HEAD ON UNIT = 112mm.

TERMINAL
M3.5 SCREW
(W=7.8)

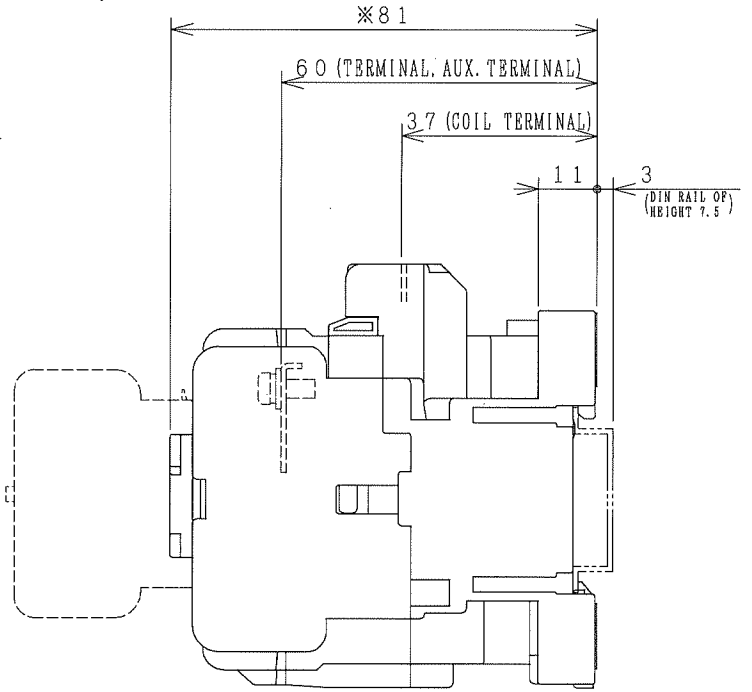
COIL TERMINAL
M3.5 SCREW
(W=7.8)



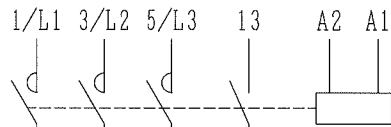
AUX. TERMINAL
M3.5 SCREW
(W=7.8)



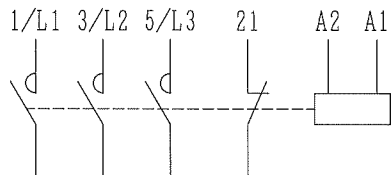
MOUNTING HOLES.



OUTLINE DIMENSIONS.



2/T1 4/T2 6/T3 14
AUX. CONTACTS: 1a



2/T1 4/T2 6/T3 22
AUX. CONTACTS: 1b
CONTACTS ARRANGEMENT.

REMARK

- DIMENSION UNIT = Millimeter (mm).
- (a) = AUX. CONTACT NORMALLY OPENED.
- (b) = AUX. CONTACT NORMALLY CLOSED.

- 30x48
- 34x48
- 34x52
- 35x50

ALSO POSSIBLE.

(W=) : WIDTH OF TERMINAL.

DWN. O. SITTICHAJ	17/05/18	PROJECTION	TITLE
CHKD. <i>J. Smit</i>	S	SCALE NTS.	DIMENSION OF HS18
APPD. <i>S. Sugai</i>			
HITACHI Hitachi Industrial Technology (Thailand), Ltd.			4HTN001146
			REV. 00 SH. 01 01