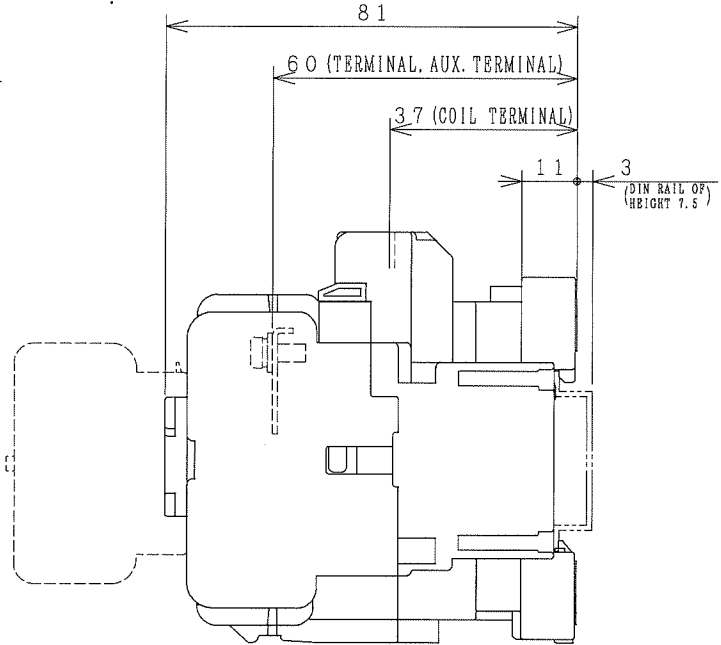
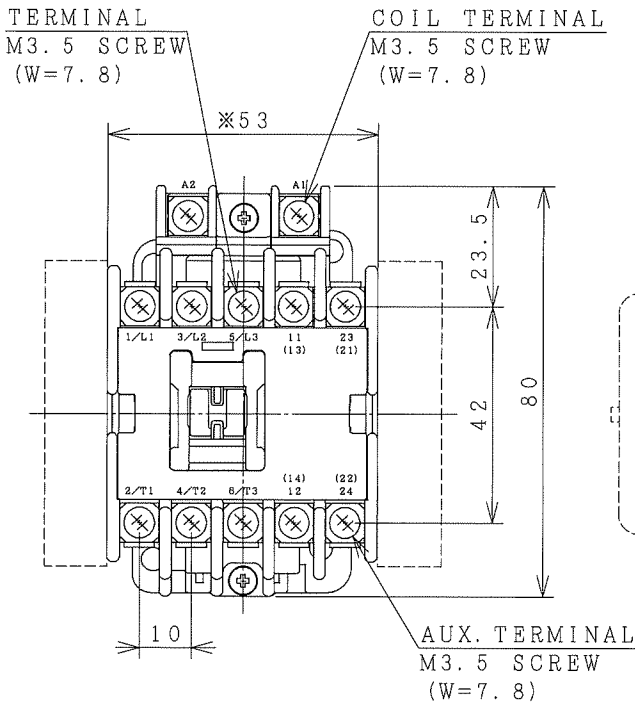


# HITACHI ELECTROMAGNETIC CONTACTOR

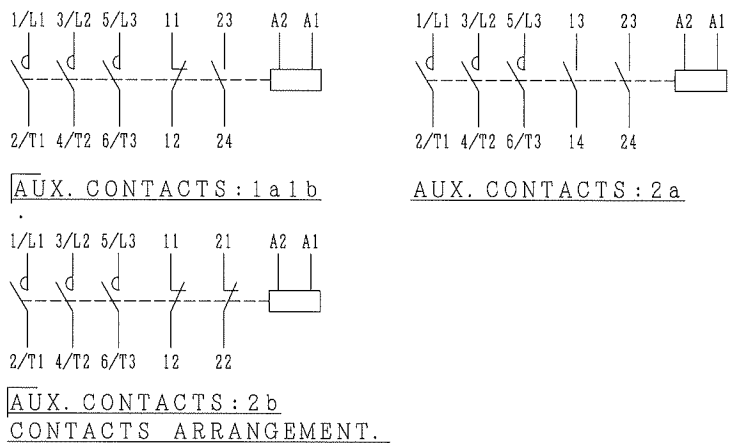
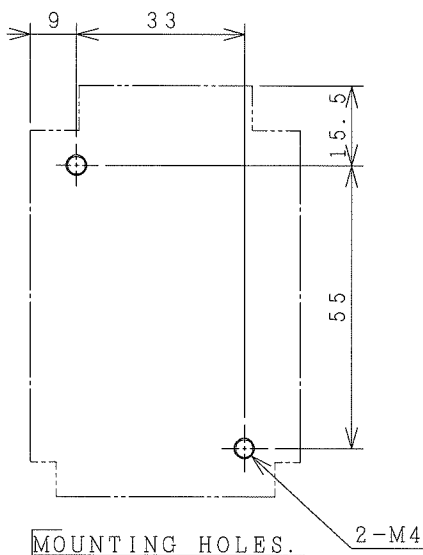
Type	Rated insulation voltage (Ui)	Max. rated capacity of motor			Rated thermal current (AC1 = 1th)	Applicable standard	Aux. Contact	Weight
HS19	AC 690 V	240V	4.5kW	18A	20 A	IEC 60947-4-1	1a,b	0.36 kg
		440V	7.5kW	18A			2a, 2b	

※WITH AUX. CONTACT SIDE ON UNIT = 78mm.

※WITH AUX. CONTACT HEAD ON UNIT = 112mm.



OUTLINE DIMENSIONS.



※REMARK

- DIMENSION UNIT = Millimeter (mm).
- (a) = AUX. CONTACT NORMALLY OPENED.
- (b) = AUX. CONTACT NORMALLY CLOSED.

DWN. O. SITTICHAI	14/05/18	PROJECTION	TITLE
CHKD. J. Jomjor		SCALE	DIMENSION OF HS19
APPD. C. Kittisak		NTS.	
HITACHI			HITT WORKS DWG. No.
Hitachi Industrial Technology (Thailand), Ltd.			4HTN001150
			RVV. 00
			SH. 01
			01

- 30x48
- 34x48
- 34x52
- 35x50

ALSO POSSIBLE.  
(W) : WIDTH OF TERMINAL.