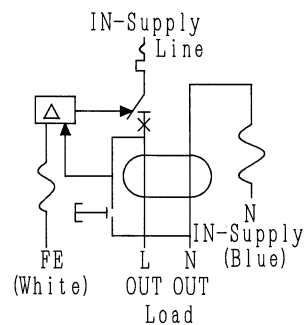
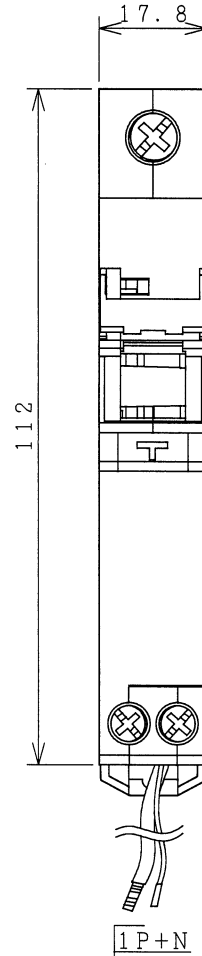
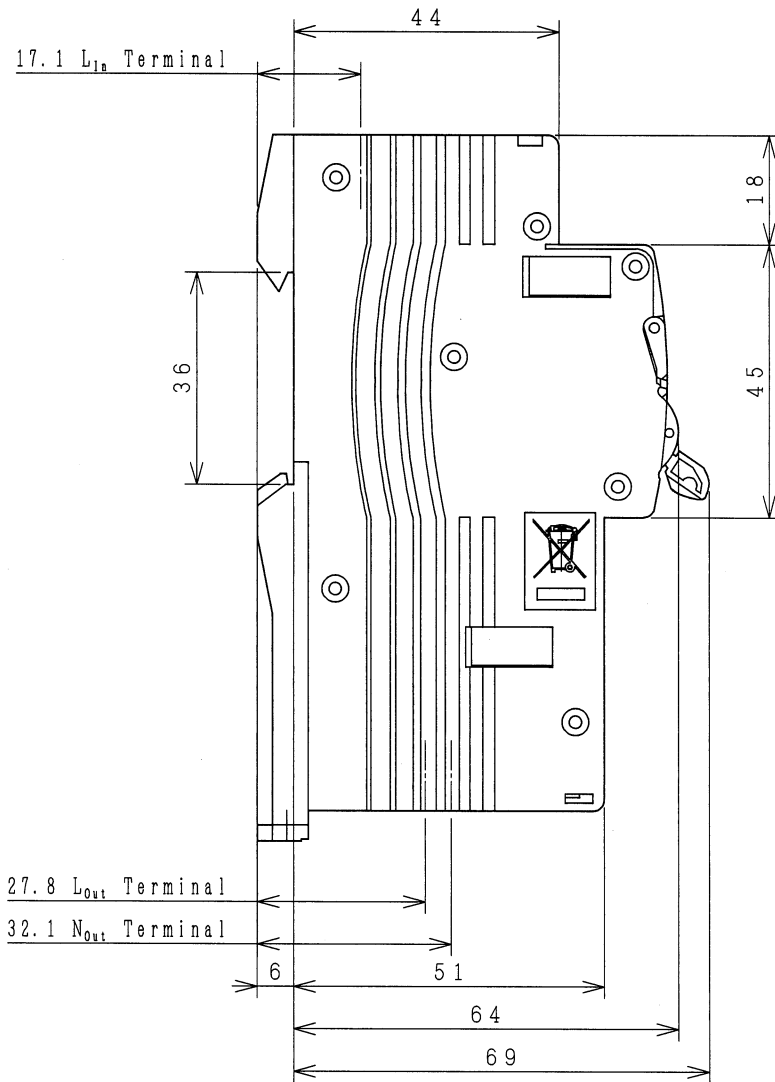


HITACHI RESIDUAL CURRENT CIRCUIT BREAKER WITH OVERLOAD PROTECTION

Type	Poles	IEC 61009 Rated Breaking capacity [kA] 240V 50Hz	Rated Current [A]	Rated Sensitivity current [mA]	Weight
RKS50	1P+N	10	6 10 16 20 25 32 40 50 A	30 mA	0.19 kg



WIRING DIAGRAM

DWN.	O. SITTICHAJ	28/06/21	PROJECTION	TITLE
CHKD.	C. Chonida M. Samkit		SCALE	DIMENSION OF RKS50
APPD.	S. Sugai		NTS.	
HITACHI Hitachi Industrial Technology (Thailand), Ltd.				HITT WORKS DWG. No.
				4HTN001308
REMARK				REV.
-DIMENSION UNIT = Millimeter (mm).				00
				SH.
				01
				01